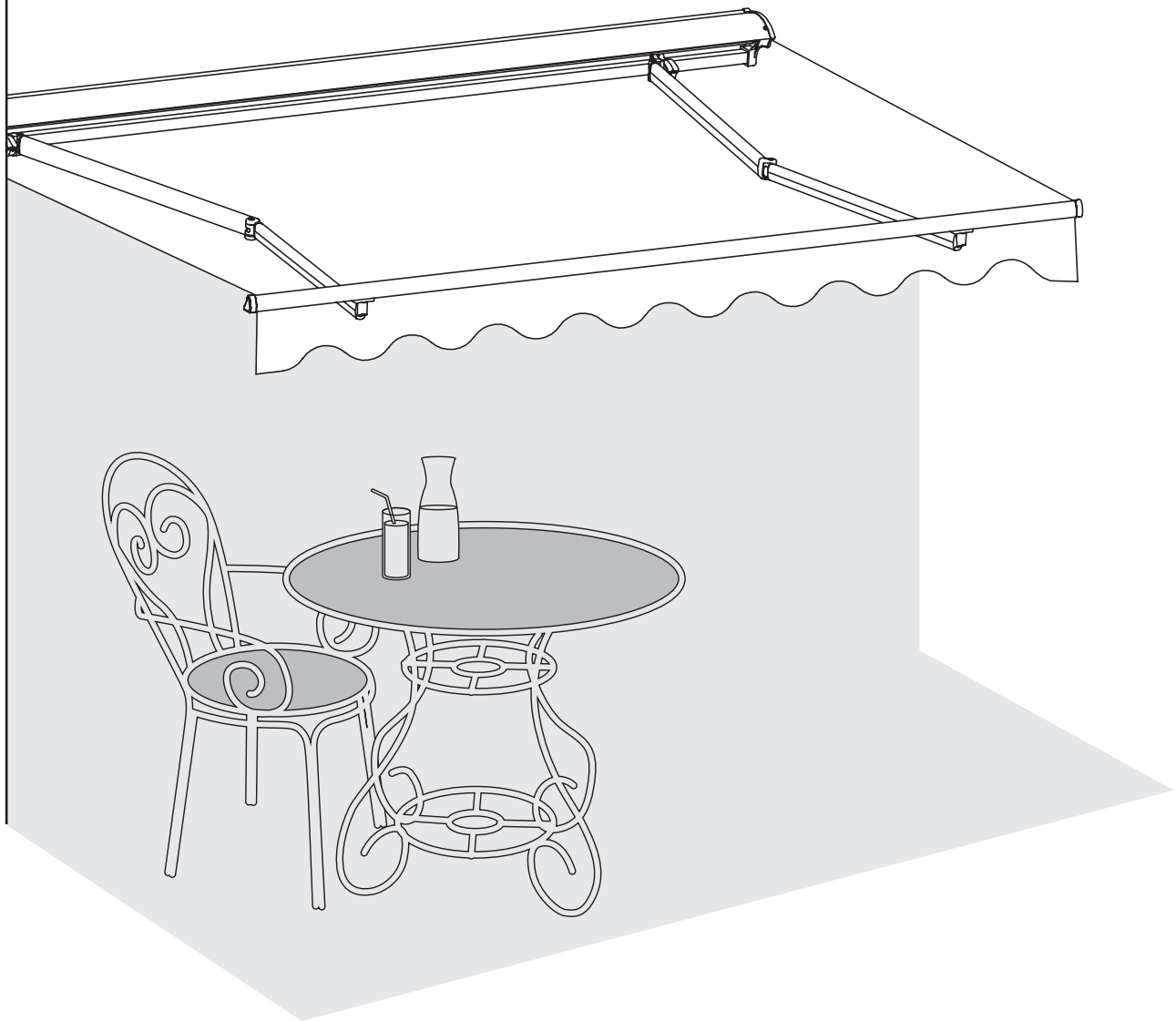


LUXURY SERIES Retractable Awning



Owner's Manual (Dual-Use Mounting Brackets)

For safety reasons, please read the instructions and warnings in this manual carefully before installing the awning.

TABLE OF CONTENTS

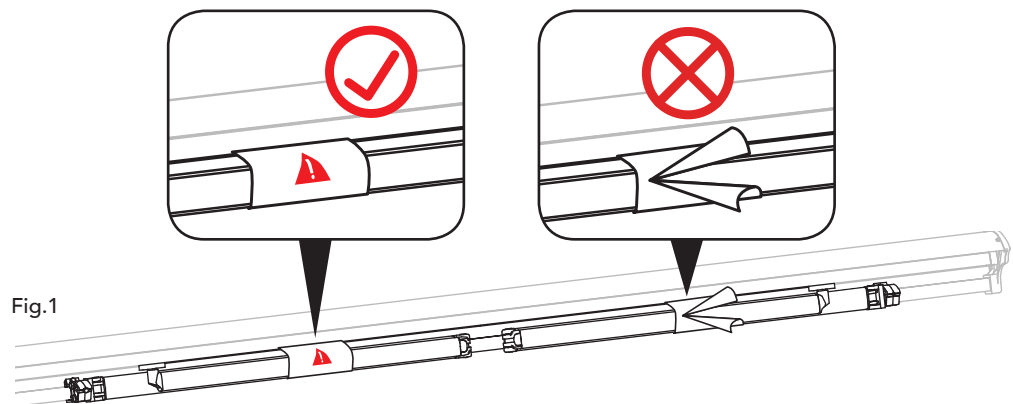
Safety instructions and warnings.....	2
Package contents and parts	3
Tool requirements	4
Product features	4
Installation	
Bracket placement reference chart	5
Determine where to install your awning	6
Install wall brackets	
Standard stud installation	7
Masonry installation	8
Install ceiling brackets	11
Install awning onto brackets	12
Ready your awning.....	13
Install power cord for electric models.....	13
Using remote control	13
Operation	
Manual model.....	14
Electric model	14
Adjust awning pitch	15
Fabric Rolling Direction	15
Maintenance.....	16
Warranty.....	17

SAFETY INSTRUCTIONS



In order to avoid accidental injury or product damage, **DO NOT** remove the safety restraints from the awning's lateral arms until instructed to do so.

Fig.1



SAFETY INSTRUCTIONS AND WARNINGS

TO REDUCE THE RISK OF FIRE, ELECTRIC SHOCK, OR INJURY

- Pay close attention during installation to ensure that the Advaning awning is installed properly.
- Perform the installation in dry and optimal conditions. Always wear protective gear and gloves when handling sharp metal parts. If you do not feel that you can properly install the awning, please seek professional help.
- The Advaning awning should only be operated by an adult that understands all the functions and operations of the awning. Please keep unsupervised children away from playing with the awning or its parts.
- The product should be used only as described in this Advaning Owner's manual. Do not carry out any maintenance other than what is shown in this manual. For any issues that are not covered in this manual, please seek support from Advaning Customer Service.
- Only use Advaning recommended accessories and original replacement parts.
- Do not disassemble the awning motor, it is recommended that you seek professional help for any maintenance involving the motor.
- Do not handle any part of the power plug or motor with wet hands or objects, doing so could induce an electric shock.
- Do not use the electric option if the cord or plug is damaged. Damaged power cords and plugs must be replaced by Advaning or qualified professional installer.
- Ensure that the power cord is not strained and that it has ample slack to avoid damage. Avoid pulling the cord around sharp edges or corners. Keep the power cord away from high traffic areas.
- Do not pull or tug on the cord. Grasp the plug by the base when unplugging the device to avoid damage and rewind the cord and store to prevent a tripping hazard.
- Do not place any heat source or open flame under or near the awning.
- Do not place, hang, or stand objects or persons on the awning itself, doing so can damage the awning or cause severe personal injury and in extreme cases death.

DO NOT keep the awning open during:

A: RAIN

B: SNOW

C: STRONG WIND

D: AWAY FROM HOUSE

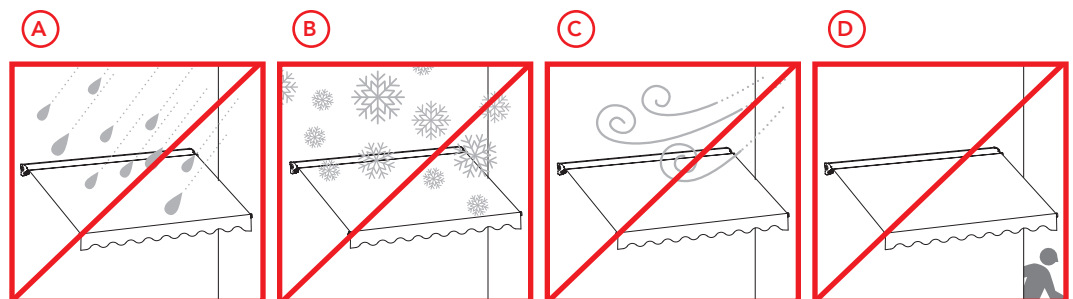


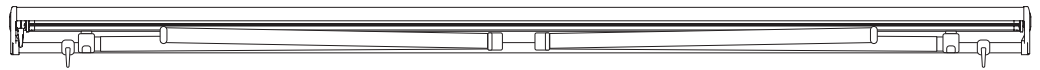
Fig.2

PACKAGE CONTENTS AND PARTS

Before installation, make certain that the package contains all parts as listed on this page.

*Motorized models (with 16ft power cord) only.

**Failure to obtain proper instructions may result in unreparable damage to motor and will void the Manufacturers Warranty.



Awning unit Qty: 1



Hand crank Qty: 1



Motor Regulator* Qty: 1

Please contact Advaning Service Team for instruction**.



Remote Control Kit* Qty: 1

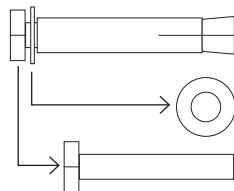
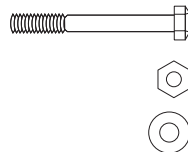
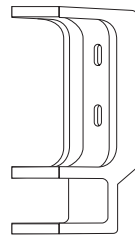


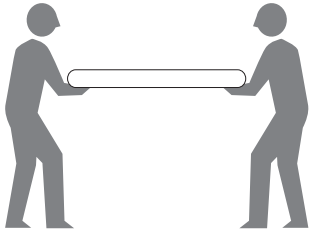
Fig.3

Awning Size (Width)		8'~10'	12'~13'	14'	16'~18'
Parts name		Quantity			
Wall/ ceiling dual bracket set	Wall/ceiling bracket	2	3	4	5
	Retaining hex bolt	2	3	4	5
	Retaining nut	2	3	4	5
	3/8" washer	2	3	4	5
3/8" x 4" Lag screw		4	6	8	10
3/8" Flat washer		4	6	8	10
Expansion bolt set	Expansion bolt	4	6	8	10
	Washer	4	6	8	10
	Hex bolt	4	6	8	10

TOOL REQUIREMENTS



Minimum 2 people to install



SUGGESTED TOOLS

- ① Marker / pencil
- ② Measuring tape
- ③ Electronic Stud finder
- ④ Chalk line / laser level
- ⑤ Level
- ⑥ 3/8" socket wrench
- ⑦ Drill bit
- ⑧ Masonry drill bit
- ⑨ Drill with bits
- ⑩ Ladders (2)

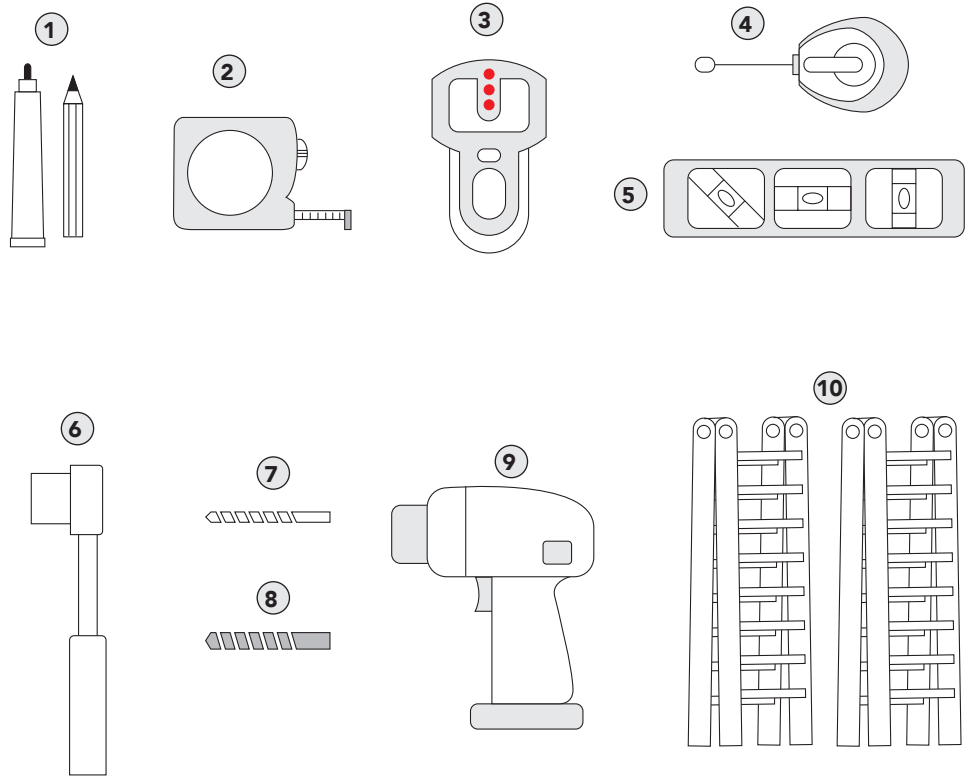


Fig.4

PRODUCT FEATURES

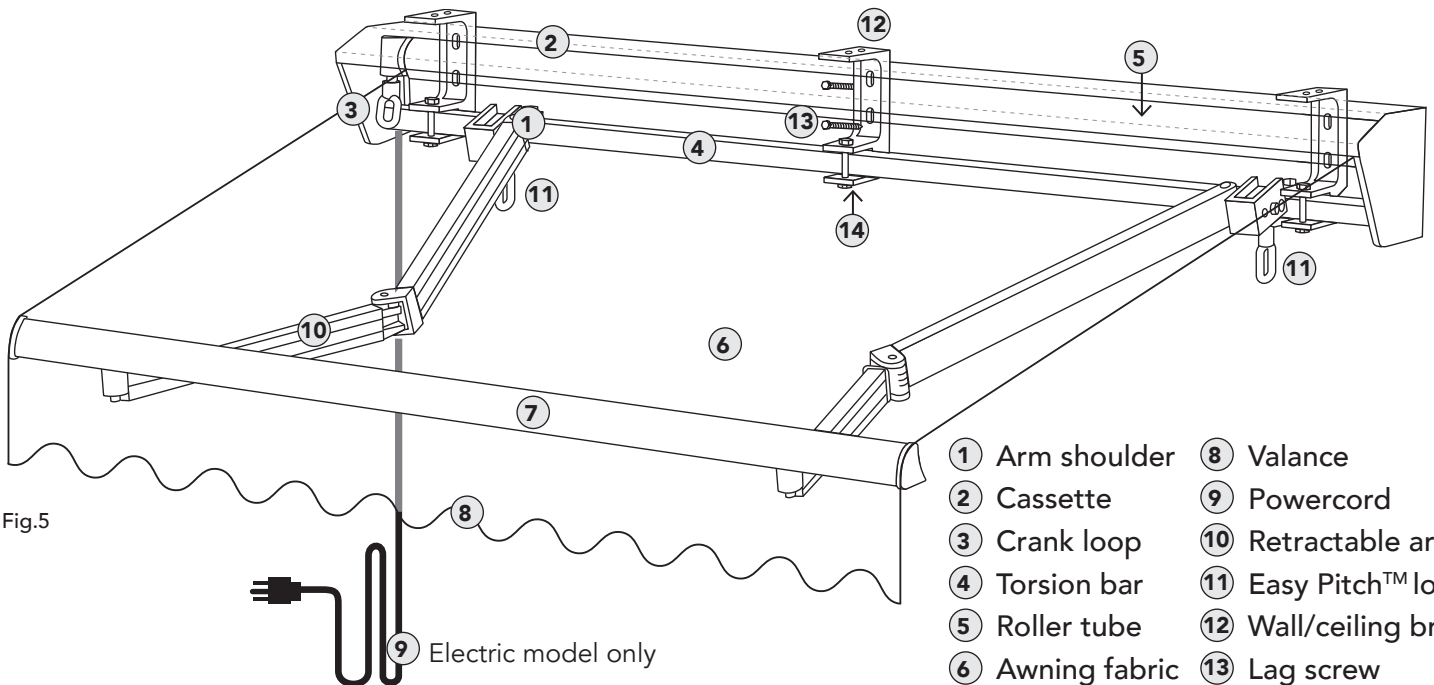


Fig.5

- | | |
|-----------------|------------------------|
| ① Arm shoulder | ⑧ Valance |
| ② Cassette | ⑨ Powercord |
| ③ Crank loop | ⑩ Retractable arms |
| ④ Torsion bar | ⑪ Easy Pitch™ loop |
| ⑤ Roller tube | ⑫ Wall/ceiling bracket |
| ⑥ Awning fabric | ⑬ Lag screw |
| ⑦ Front bar | ⑭ Retaining bolt |

⑨ Electric model only

INSTALLATION

BRACKET PLACEMENT REFERENCE CHART

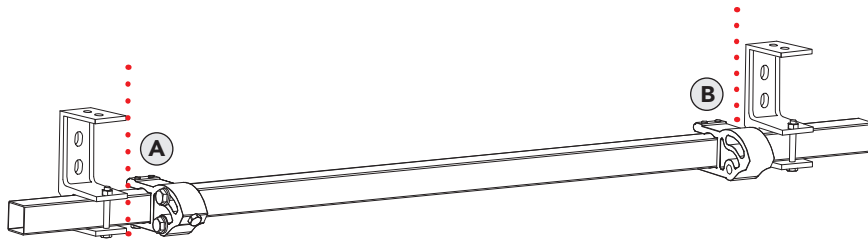
Please use the charts for bracket location reference.

- (A) Left awning shoulder
- (B) Right awning shoulder

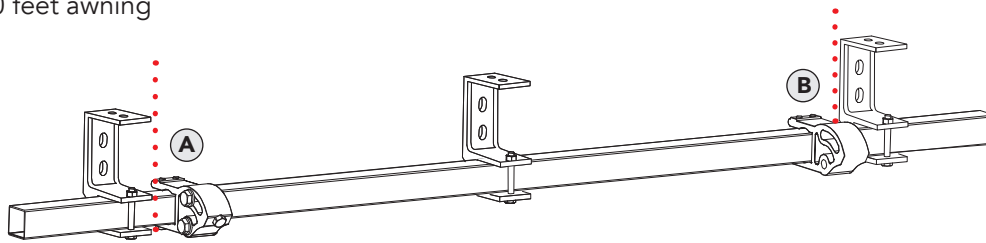
NOTE: The left most bracket must be placed on the outer left side of awning shoulder. The right-side brackets must be placed on the outer-right side of the right awning shoulder.



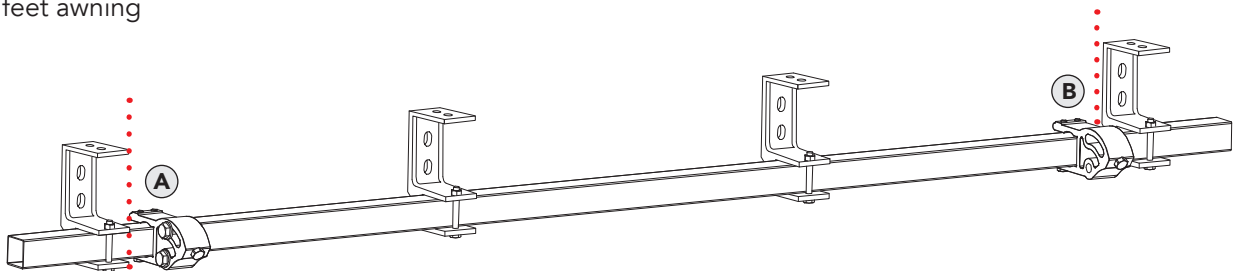
ALL brackets must be mounted onto wall studs or other major structural supports.



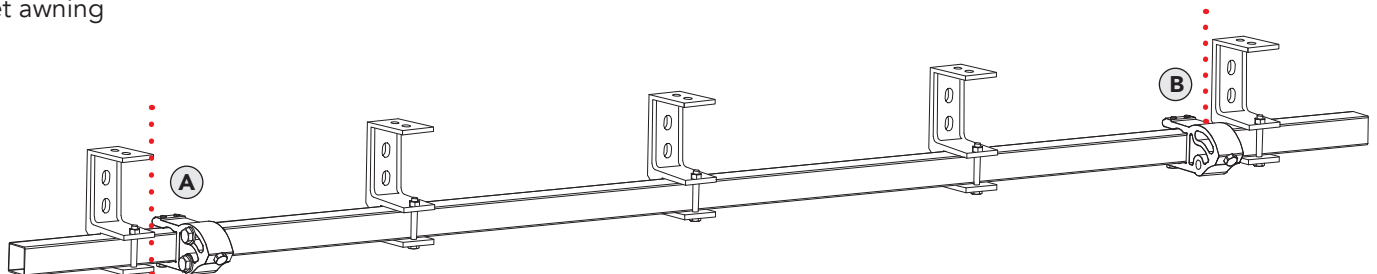
8 ~ 10 feet awning



12 ~ 13 feet awning



14 feet awning



16 ~ 18 feet awning

Fig.6

INSTALLATION

DETERMINE WHERE TO INSTALL YOUR AWNING

Locate a position that is

- Ⓐ Recommended 8~10 feet above the ground/floor/deck.
- Ⓑ Minimum 1 inch clearance below the roof/eave/overhang.
- Ⓒ With at least 12 vertical inch of clear space.



The surface should be free and clear of any obstructions along the entirety of the awning.

- Ⓓ Minimum 8 feet width.

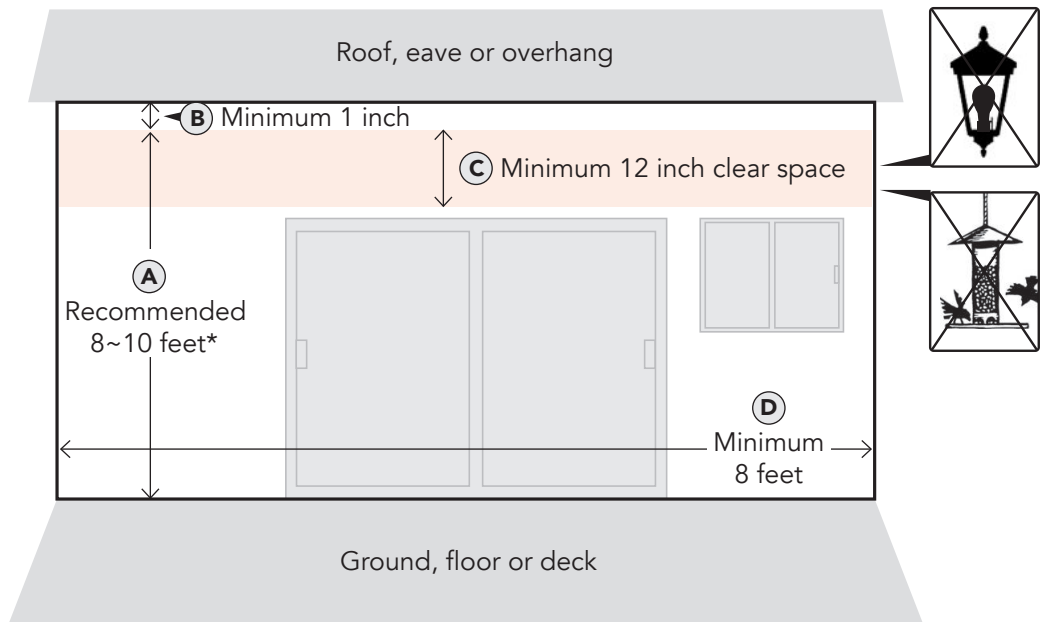


Fig 7

***Personal height requirements may require an alternate install height to 10 feet.**

Side view

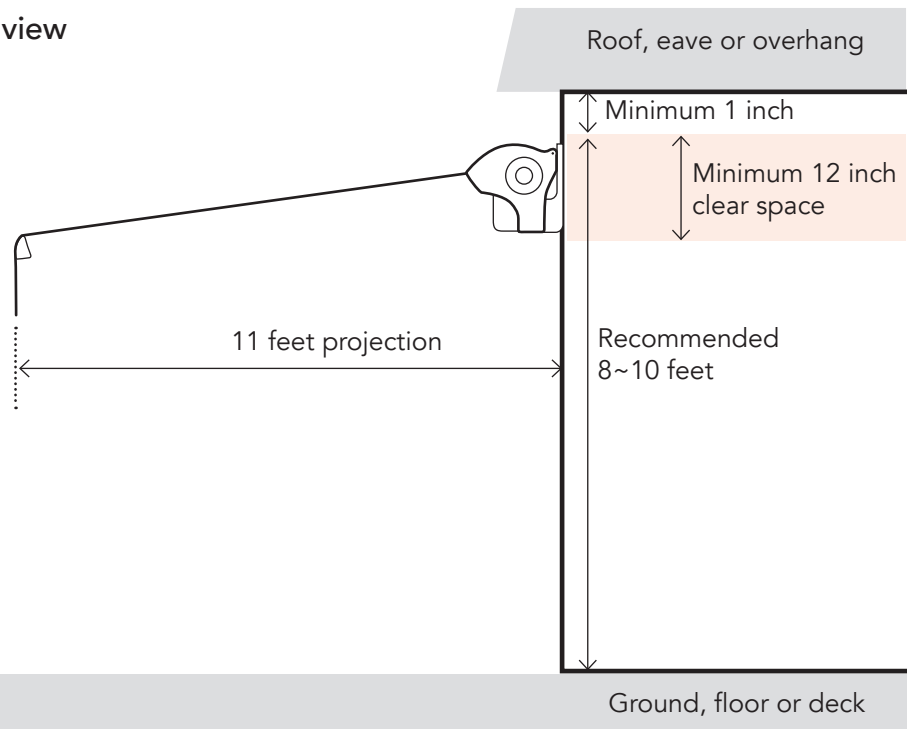


Fig 8

INSTALLATION

INSTALLING WALL BRACKETS

Standard stud installation

- ① Measure and mark where the top of your awning bracket will be placed.
- ② Use a regular level and chalk line or a laser level, mark a straight level line.
- ③ Locate and mark the center of the wall studs along this line using a stud finder. *Please follow the directions of your stud finder as instructed by the manufacturer.

CAUTION: Install the bracket onto wall studs based on the recommended bracket location (see page 5).

- ④ Align the top of the bracket to the chalk line.
- ⑤ Align the center of the bracket mounting holes with the center of the stud.
- ⑥ Use a level to make sure the bracket is straight and mark the center of the mounting holes.
- ⑦ Drill mounting holes using a drill bit.

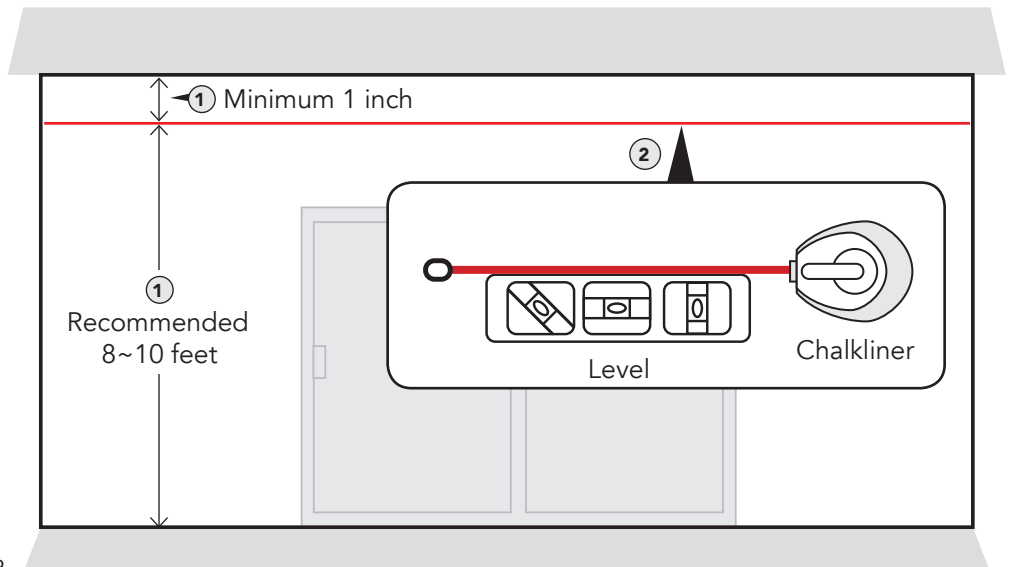


Fig 9

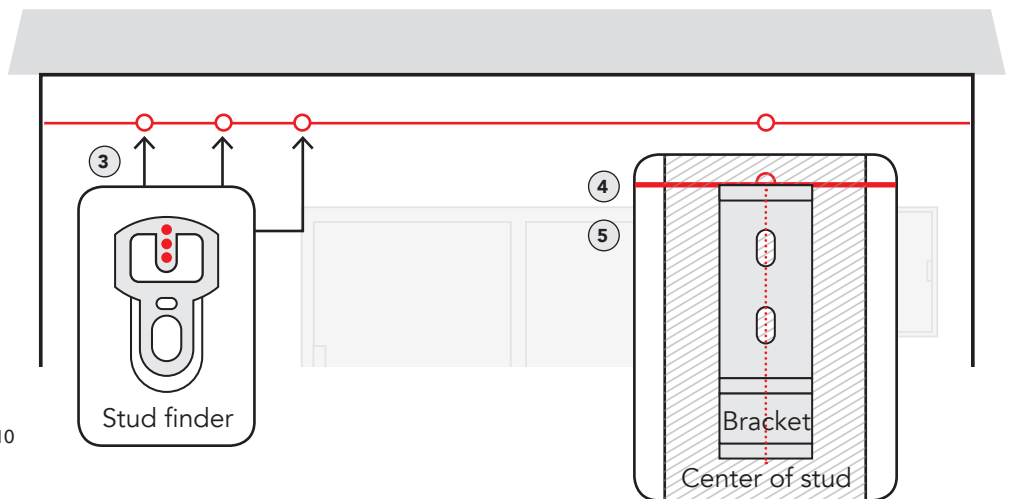


Fig 10

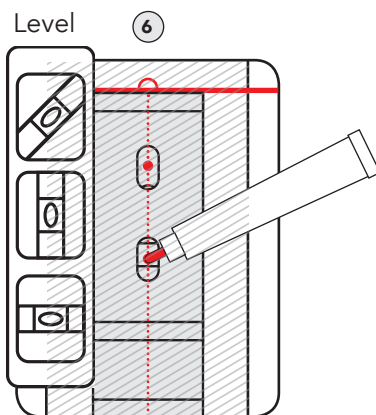


Fig 11

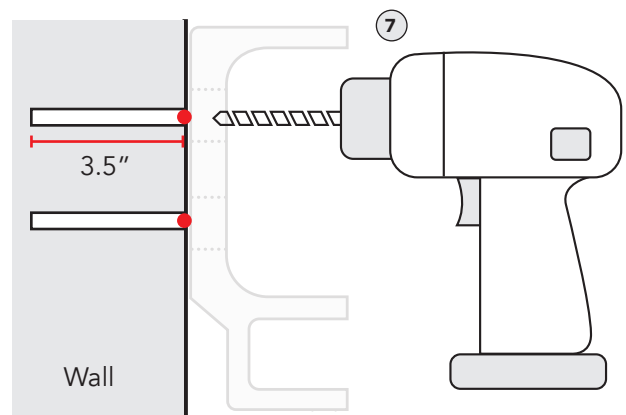


Fig 12

INSTALLATION

⑧ Place brackets over the appropriate holes and use a level to make sure the bracket is leveled and square to the line.

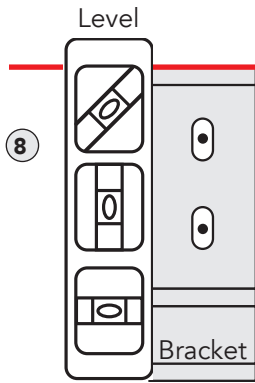


Fig 13

⑨ Use a washer and lag screw to secure all the brackets until snugged against the surface.

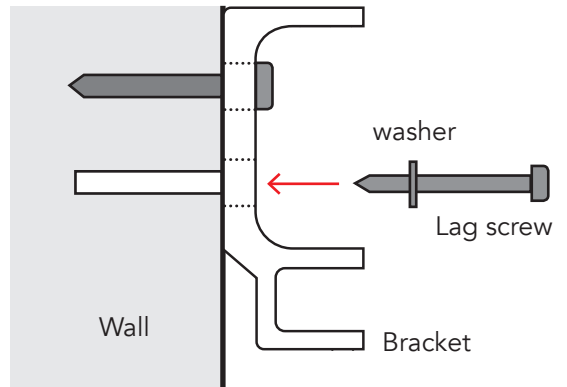


Fig 14

NOTE: For proper installation of brackets on uneven surfaces or siding, use shims or spacers to level the bracket.

Shims and spacers can also be used for vinyl or aluminum siding to provide a more solid surface for mounting.

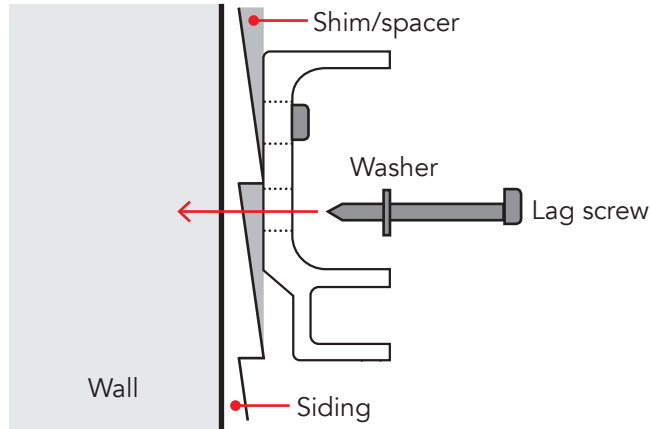


Fig 15

Masonry installation

For installing Advaning awning onto brick or solid concrete wall/surface.

CAUTION: Always install brackets securely to the brick or concrete and not in the grout to avoid collapse and personal injury.

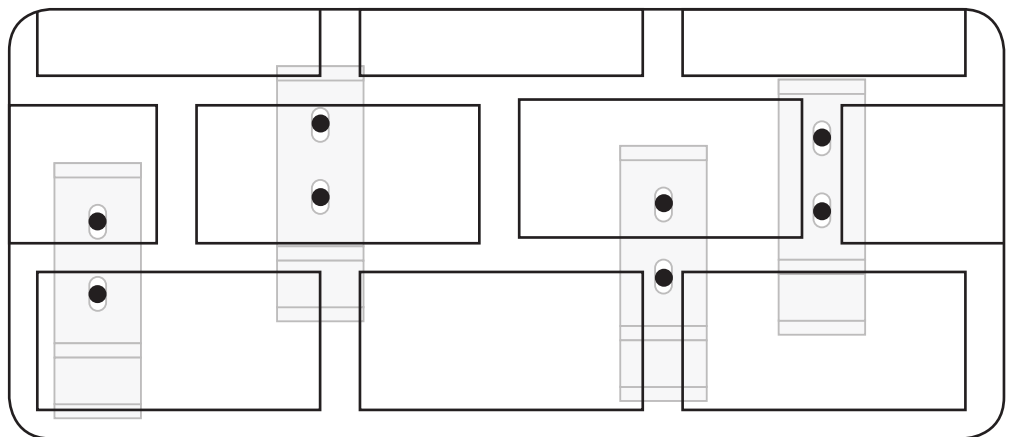


Fig 16

INSTALLATION

- 1 Follow instructions for standard installation step 1 and 2 (page 7).
- 2 Use recommended bracket location chart (page 5) to find bracket location for your awning model along the line.
- 3 Align the top of the bracket to the chalk line and use a level to make sure the bracket is straight.
- 4 Mark the center of the bracket mounting holes.
- 5 Drill mounting holes using a masonry drill bit.

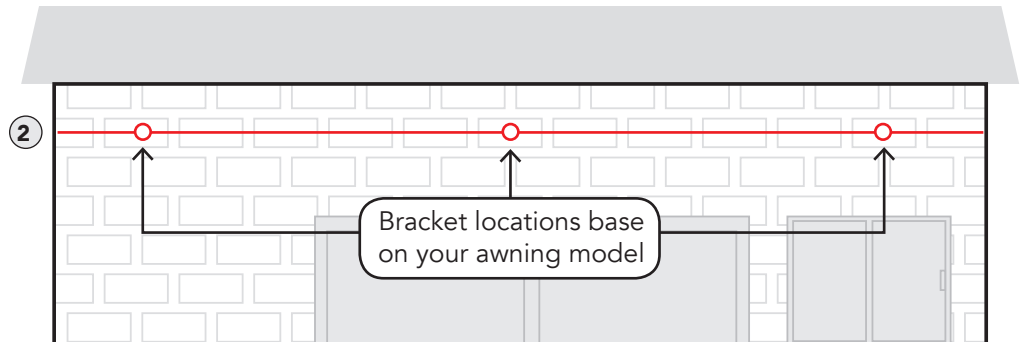


Fig 17

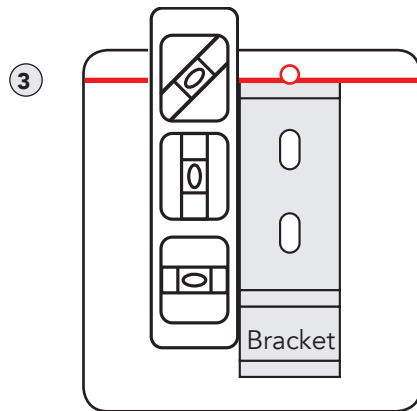


Fig 18

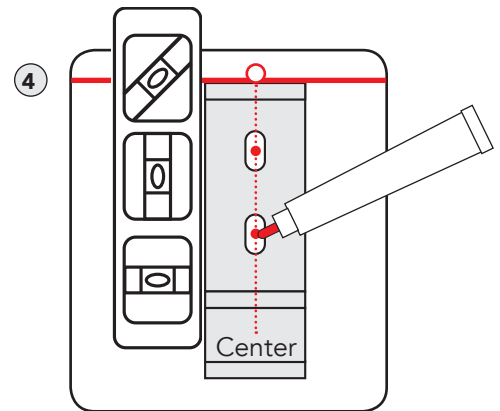


Fig 19

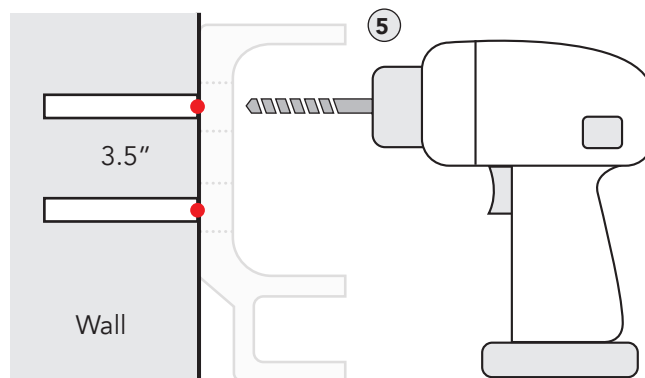


Fig 20

INSTALLATION

- ⑥ Insert an expansion bolt set into each of the drilled bracket holes.
- ⑦ Leave the hex bolt head outside of the hole.
- ⑧ Tighten the hex bolt head.

CAUTION: Do not over tighten.

- ⑨ Unscrew and remove only the hex bolt. Leave the expansion sleeve inside the hole.
- ⑩ Place the wall bracket over the holes and use a level to make sure the bracket is straight.
- ⑪ Re-insert the hex bolts into the holes through the wall bracket.
- ⑫ Tighten the hex bolts to secure wall bracket to surface.

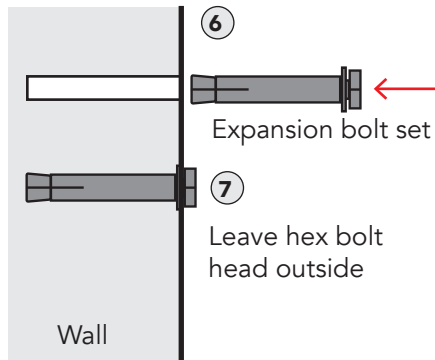


Fig 21

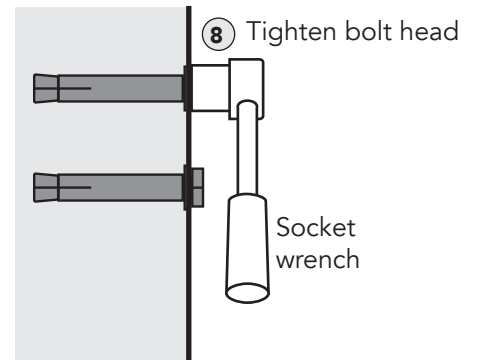


Fig 22

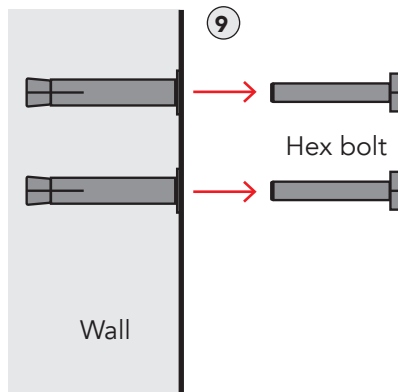


Fig 23

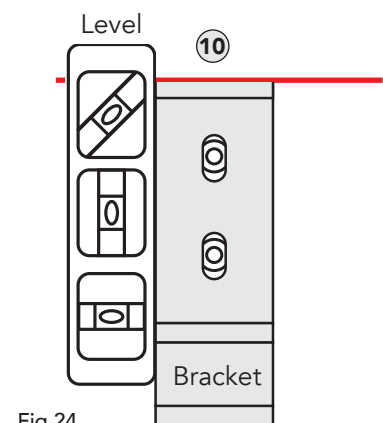


Fig 24

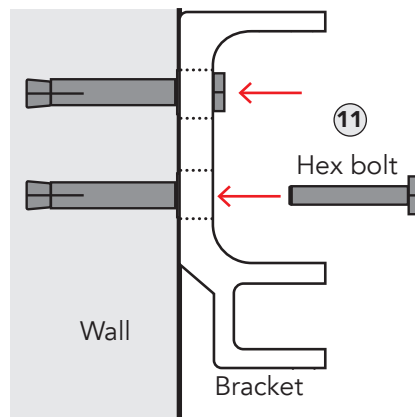


Fig 25

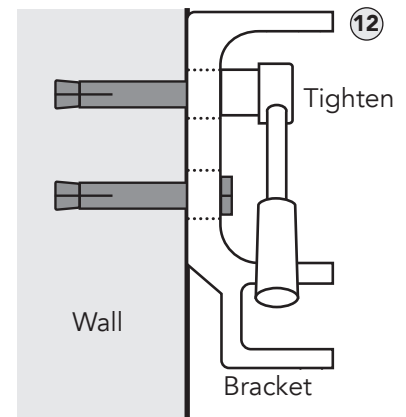


Fig 26

INSTALLATION

INSTALLING CEILING BRACKETS

① Locate a straight, flat and leveled edge of your roof, eave or overhang that is clear and free of obstructions.

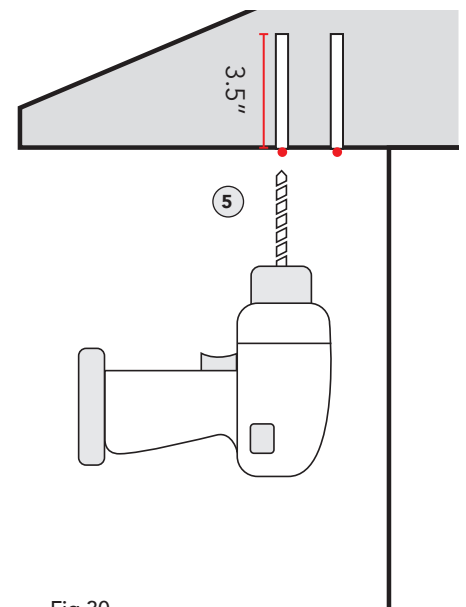
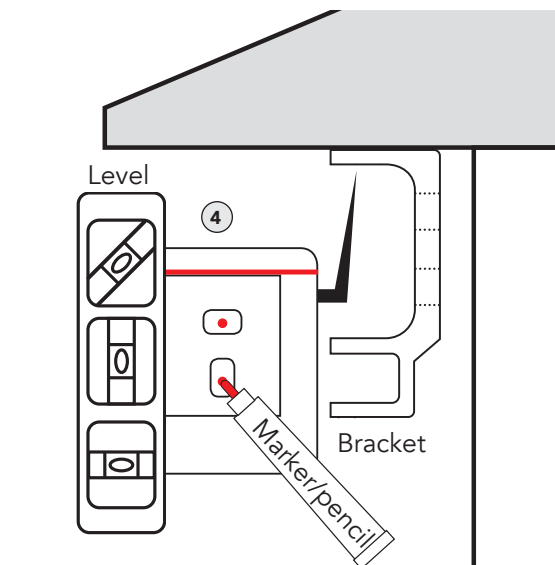
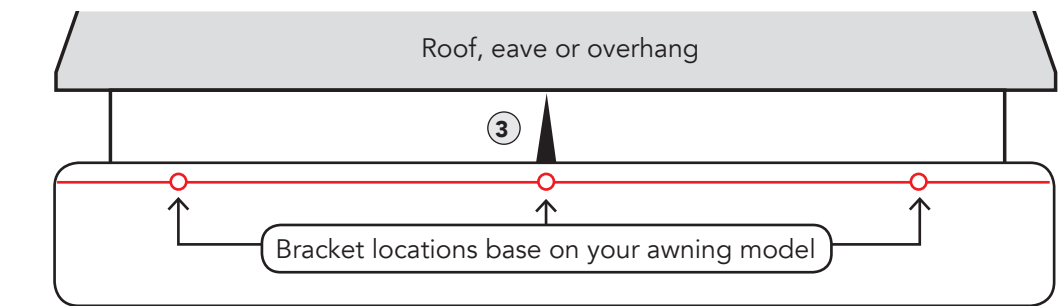
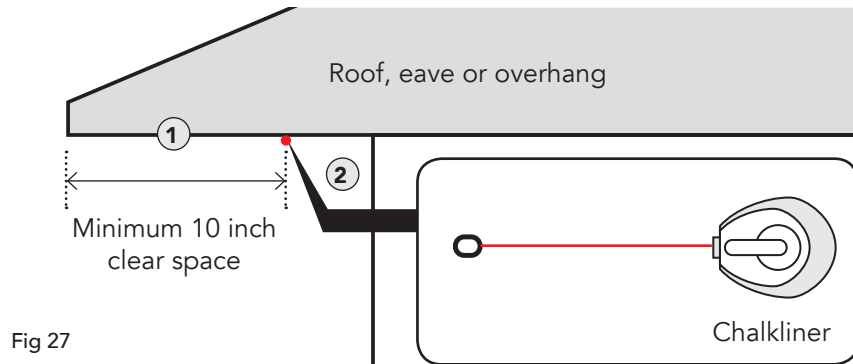
② Using a chalk line or laser level, mark a line that runs the entire length of your awning.

NOTE: The awning will stand 10" off of this line.

③ Use recommended bracket location chart (page 5) to determine bracket locations for your awning model along the line.

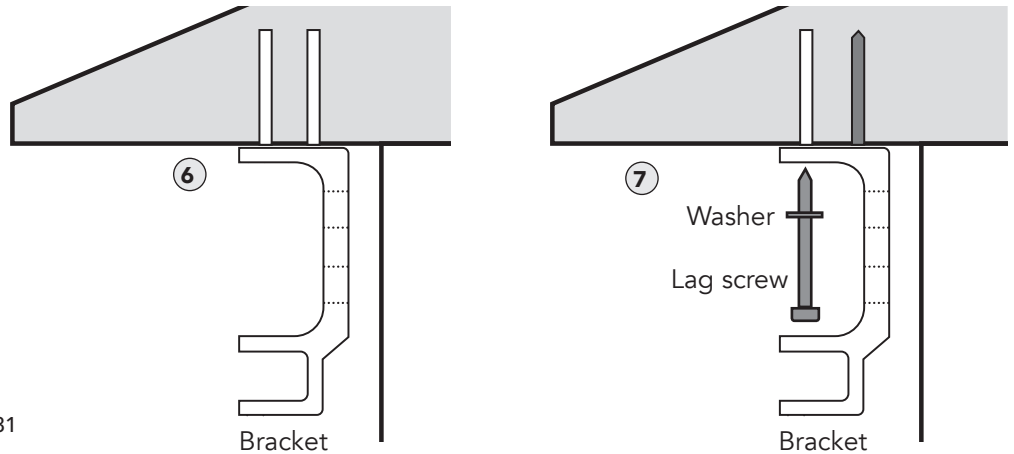
④ Place the ceiling brackets in the appropriate locations. Use a level to make sure the bracket is straight and mark the center of the mounting holes.

⑤ Drill mounting holes using a drill bit.



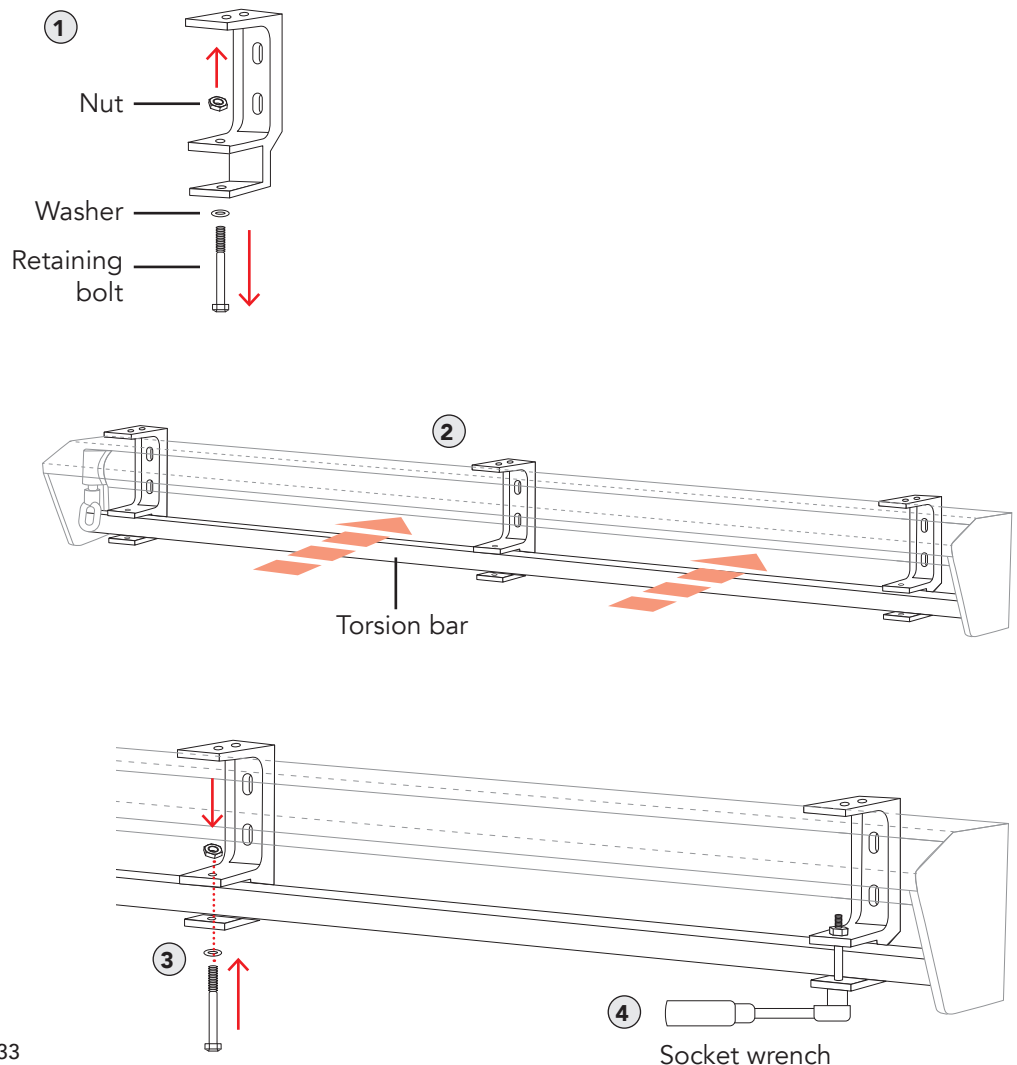
INSTALLATION

- 6 Place brackets over the appropriate holes.
- 7 Using a washer and a lag screw, secure the brackets to the surface until snug.



INSTALLING AWNING ONTO BRACKETS

- 1 Remove the bolts on the front of the wall brackets.
- 2 Slide torsion bar into the square section of the bracket.
- 3 Place retaining bolt into the bracket and use the nut and washer to secure bolt into place.
- 4 Tighten the bolt with a socket wrench.



INSTALLATION

READY YOUR AWNING

WARNING: DO NOT plug in the power cord until the following steps have been completed.

Before removing the safety restraints, make sure no persons or objects are in front of the awning. Failure to do so could result in personal injury.

- ① Position yourself under the awning.
- ② Remove the safety restraints from the arms one at a time. Do not use a knife or blade to cut the restraints.

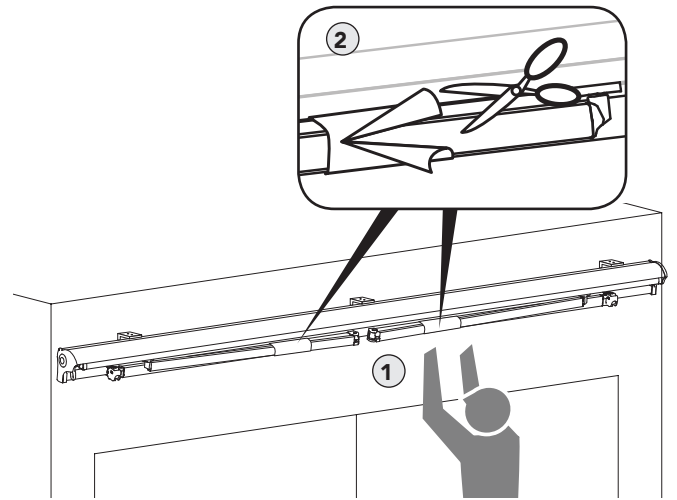


Fig 34

INSTALL POWER CORD FOR ELECTRIC MODELS

- ① Plug into a GFI rated outdoor socket.
- ② Use a drip loop to avoid water collecting on electrical socket.

WARNING: DO NOT attempt to modify the plug in any way.

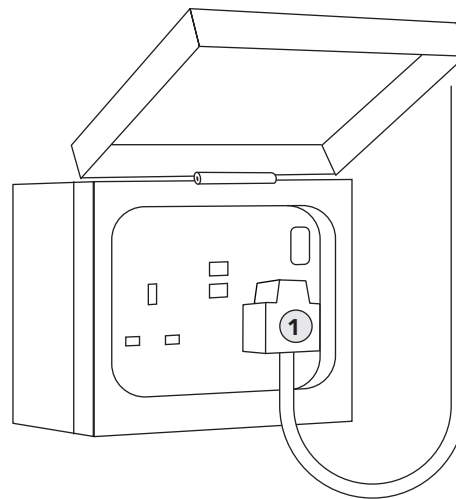


Fig 35

② Drip loop

USING REMOTE CONTROL

Remove battery cover from the back of the remote control and install the battery in the remote control.

Battery Type : Alkaline

Battery Type : Lithium

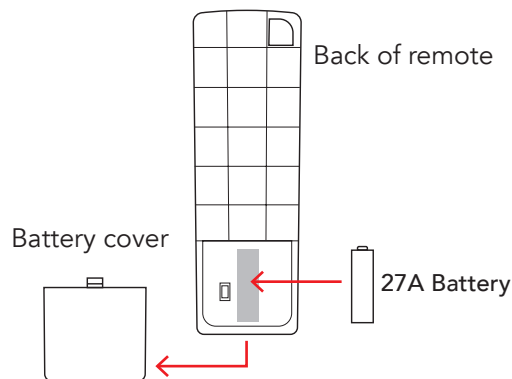
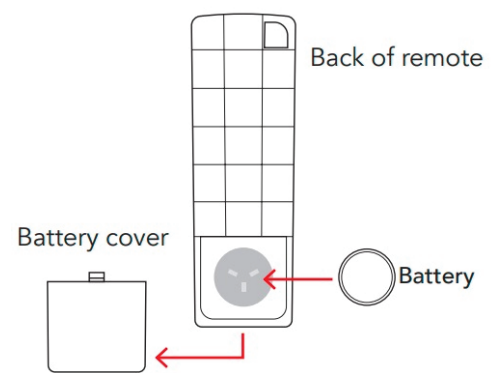


Fig 36



OPERATION

MANUAL MODEL

- ① Use the hand crank to open the awning fully then close it completely to test for proper operation.
- ② Use the hand crank and open the awning to desired extension.

CAUTION: To keep the fabric taut, always reserve a small portion of the awning fabric in the roller tube.

NOTE: The arms are not designed to be completely straight in the fully extended position.

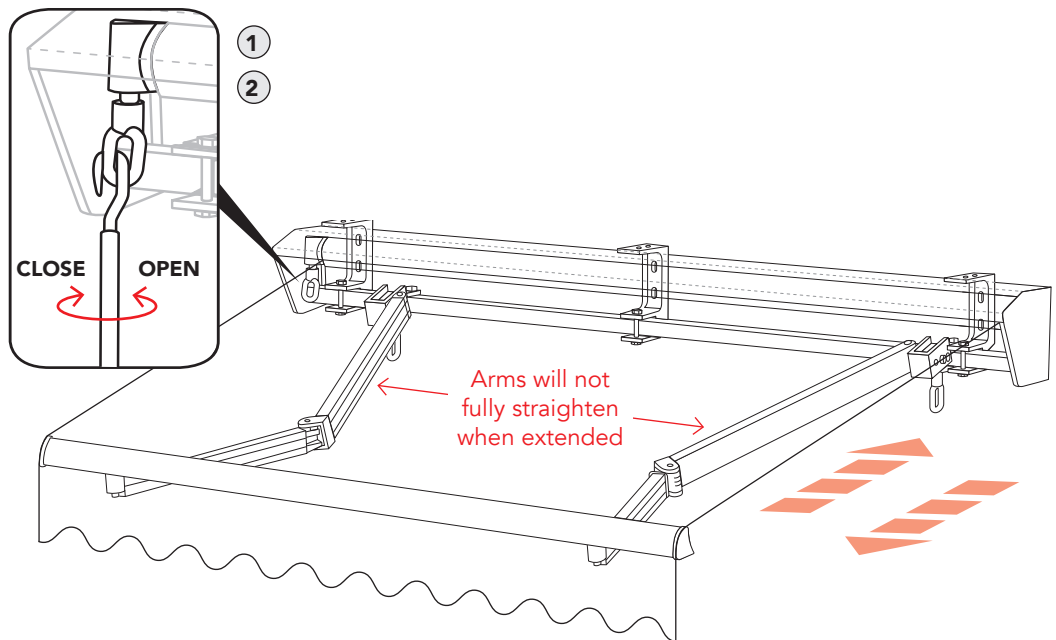


Fig 37

ELECTRIC MODEL

- ① Use the remote control to open to the awning fully then close it completely.
- ② Use the remote control to open the awning to desired extension.
- ③ Use the manual hand crank to turn the crank loop if electricity is unavailable.

CAUTION: To keep the fabric taut, always reserve a small portion of the awning fabric in the roller tube.

NOTE: The arms are not designed to be completely straight in the fully extended position.

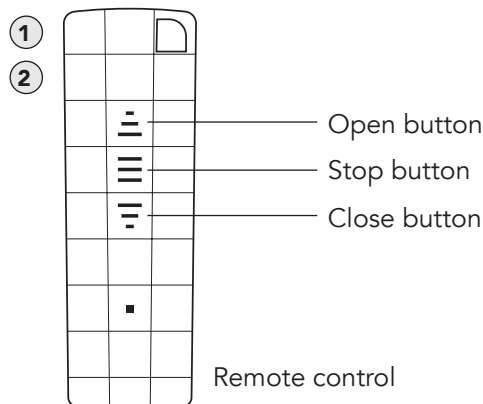
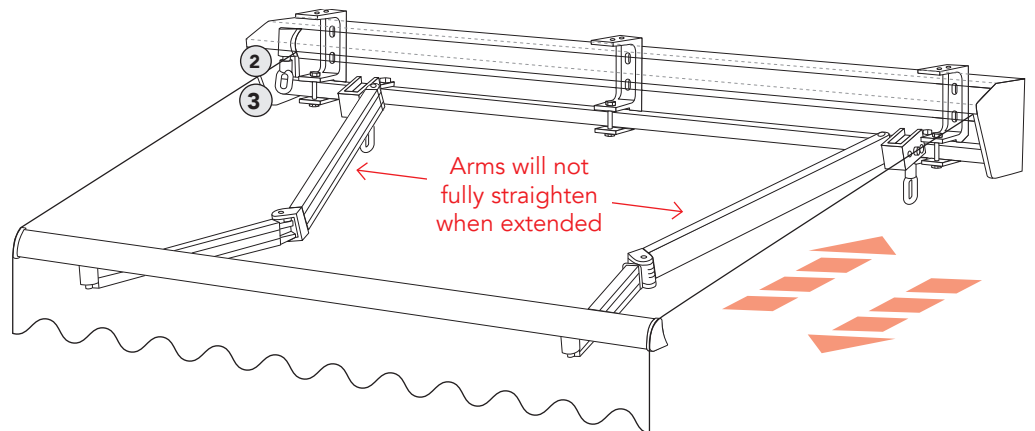


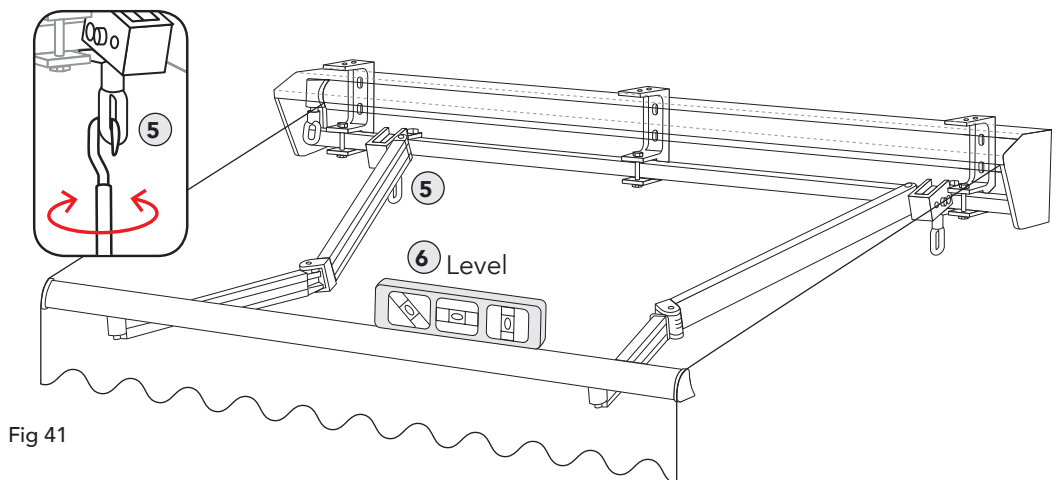
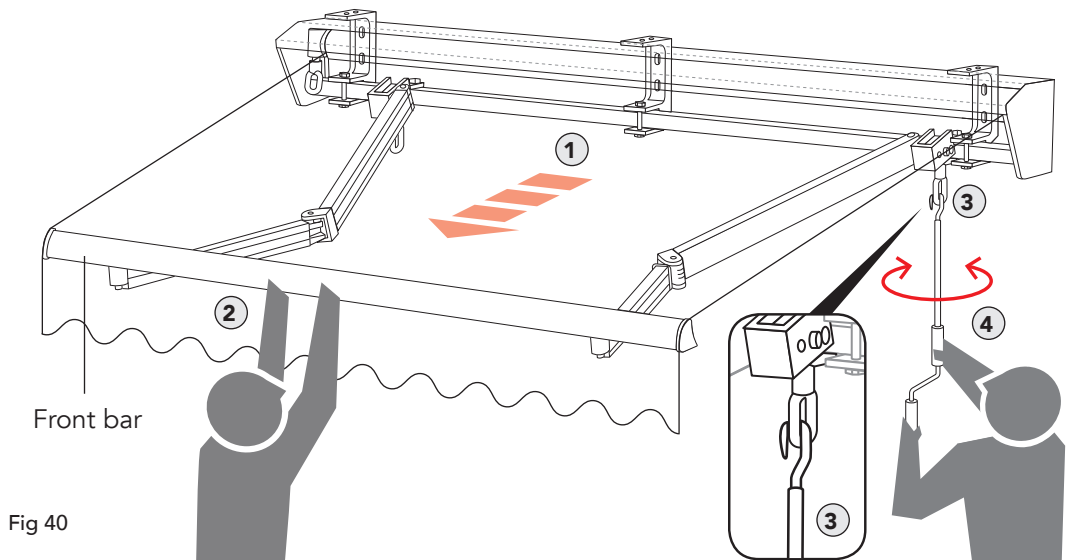
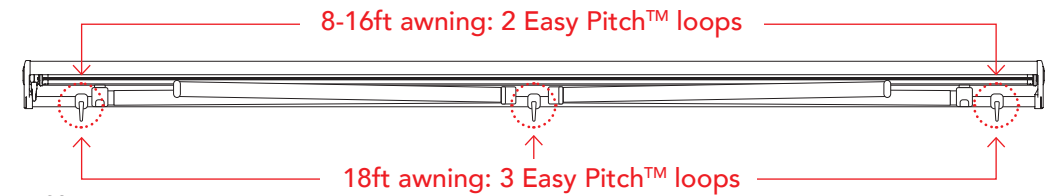
Fig 38

OPERATION

ADJUST AWNING PITCH

NOTE: To properly retract the awning, the awning's pitch must be at its original factory setting.

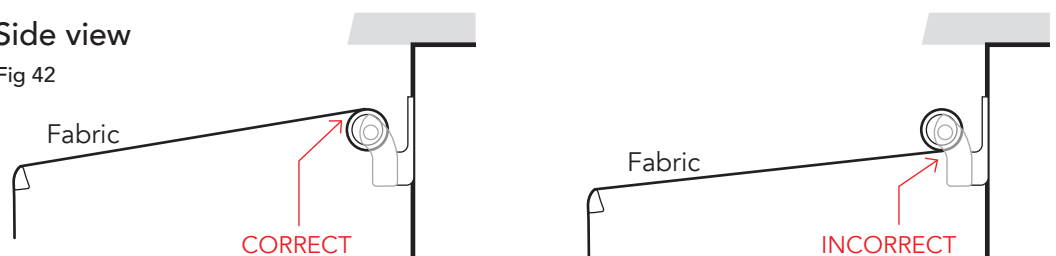
- 1 Open the awning.
- 2 With the aid of a helper, support the front bar of the awning while another person adjusts the pitch of the awning using the hand crank and the Easy Pitch™ System.
- 3 Hook the hand crank through one of the Easy Pitch™ loops.
- 4 Turn the hand crank to adjust the awning pitch up and down.
- 5 Repeat the step on all Easy Pitch™ loops.
- 6 Use a level to check that the front bar is straight and leveled.



FABRIC ROLLING DIRECTION

Side view

Fig 42



MAINTENANCE

PROTECTING THE FABRIC FROM MILDEW

Allow the awning fabric to fully dry before retracting. Doing so will help prevent mildew from growing and prolong the life of the fabric.
If you must retract the awning while wet, open the awning as soon as the weather permits to allow the fabric to fully dry and remove any dirt deposits to preserve the fabric.

CLEANING THE FABRIC

Cleaning the awning regularly with mild soap and water will extend the life of the fabric and prevent the formation of mildew. It is necessary to prevent stains from becoming embedded into the fabric.
Remove the dust from the dry awning fabric by gently beating or brushing the fabric.

PROTECTING THE FRAME

Your awning contains powder-coating steel or aluminum and can last for many years. It is important to inspect the fasteners, connections and the condition of the metal components.

CARE AND MAINTENANCE FOR MOTOR

The electric motor is equipped with an automatic overheat protection shutoff system. If you run your awning several times continuously, the motor will stop its operation. It will resume normal operation after 30 minutes.
Do not attempt to disassemble or modify the motor. Should your motor not operate correctly it is advised that you contact Advaning customer service for support.

PROTECTING FROM WATER DAMAGE

To prevent water from entering the power outlet, it is recommended that a drip loop be formed as shown in figure 35. Notice that the bottom of the loop is lower than the power outlet to prevent water from pooling near the electrical socket and power plug.

PREPARING YOUR AWNING FOR INCLEMENT WEATHER

The retractable awning is designed to provide protection from the sun and is not intended for rain, snow or extreme wind. Retract the awning to prevent damage from accumulated water, snow or from strong gusts of wind.
The fabric is water repellent and is not intended to protect against the water elements.

LIMITED WARRANTY AND CUSTOMER SERVICE

LIMITED WARRANTY COVERS

Advaning warrants all Advaning original products, sold and installed within the contiguous 48 states of the United States, to be free of defects of materials and workmanship. This warranty only applies to the original owner or purchaser of the product and is only effective on a basis for sixty (60) months or five (5) years from the date of purchase. Any defects or issues presented to Advaning within the warranty period will be handled by Advaning Customer Service within a reasonable time.

Entire awning framework, including extruded and die cast component parts, springs and cables are covered under the limited warranty. Should the purchaser notify Advaning within the twelve (12) months or one (1) year period from the date of the original purchase, defective component will be replaced in full or repaired by Advaning at no charge. All claims submitted after twelve (12) months or one (1) year but within sixty (60) months or five (5) years from the date of the original purchase, the defective component will be replaced upon the purchaser's payment of 1/60th of the full retail cost of the component for each month of use prior to the claim. Powder coated finishes and painted finishes are excluded and are NOT covered under this limited warranty.

ANY MODIFICATIONS OR ALTERATIONS TO THE PRODUCT WILL VOID THIS WARRANTY.

ADVANING, INCLUDING ITS SUBSIDIARIES AND AFFILIATES SHALL NOT BE RESPONSIBLE IN ANY MANNER WHATSOEVER FOR INJURY, DEATH OR DAMAGE TO PROPERTY AS A RESULT OF THE INTENTIONAL OR ACCIDENTAL MISUSED FOR PURPOSES FOR WHICH THE PRODUCT WAS NOT DESIGNED FOR.

WARRANTY LIMITATION AND EXCLUSION

The warranty will be in effect once the awning is fully paid for.

Advaning is not responsible for damages due to faulty modifications, installation, or re-installation.

Advaning assumes no liability for damage to the structure to which the awning is attached, or to the property located underneath the awning. This limited warranty does not cover damage from ice, snow, hail, high winds, vandalism, neglect, improper use, or any natural disasters. This limited warranty does not cover degradation due to salt corrosion, oxidation, and chipping or peeling of the paint.

Problems and Warranty Claims

If you experience a problem with your Advaning product, please contact Advaning Customer Service over the phone **Monday through Friday 8:00AM – 4:00PM Pacific Standard Time at 1-855-574-0158** or email us at **service@advaning.com**.

- Prior to contacting Advaning via phone or email for warranty claims, please have your model name/ number, serial/lot number, original proof of purchase, and a description of difficulty experience ready for our Customer Service team. Most issues can be resolved over the telephone by our trained Customer Service representatives. If any issues arise that cannot be solved over the phone or email, Advaning will issue a Return Merchandise Authorization ("RMA") number, and arrange replacement parts for you.

For more information on returning a RMA product, please see Advaning Return Policy or contact Advaning Customer Service Department at (855) 574-0158.

- All Work will be carried out by Advaning or its authorized agents and will not extend the warranty coverage period beyond the sixty (60) months from the original date of purchase. Any work done by a third party or non-authorized Advaning agent will void this warranty.

LIMITED WARRANTY AND CUSTOMER SERVICE

THIS WARRANTY IS EXCLUSIVE AND IS IN LIEU OF ANY AND ALL OTHER WARRANTIES, EXPRESSED OR IMPLIED. NO IMPLIED WARRANTIES OF MERCHANTABILITY OR FITNESS FOR A PARTICULAR PURPOSE ARE GIVEN, ANY AND ALL LIABILITY FOR BREACH OF ANY IMPLIED WARRANTY OR WARRANTY CREATED BY LAW IS DISCLAIMED.

Some states do not allow limitations on how long an implied warranty lasts, so the above limitation may not apply to you.

UNDER NO CIRCUMSTANCES SHALL ADVANING, INCLUDING ITS SUBSIDIARIES AND AFFILIATES BE LIABLE FOR INCIDENTAL OR CONSEQUENTIAL DAMAGES WITH RESPECT TO ECONOMIC LOSS, INJURY, DEATH OR PROPERTY DAMAGE, WHETHER AS A RESULT OF BREACH OF THIS WARRANTY, NEGLIGENCE OR OTHERWISE.

Some states do not allow the exclusion or limitation of incidental or consequential damages, so the above limitation or exclusion may not apply to you in whole or in part. This warranty gives you specific legal rights. You may also have other rights that vary from state to state.

What is Not Covered by the Advaning Limited Warranty

This warranty is non-transferable and does not cover product purchases from the initial buyer to a third party. This warranty does not cover incidental damages, such as loss of time, loss of use, or installation costs of defective, repaired or replaced product. This warranty does not cover product that has been damaged or rendered defective as a result of:

- (a) Neglect, abuse or misuse.
- (b) Modification of the original product.
- (c) Improper use or installation using products not manufactured by Advaning.
- (d) Service provided by anybody other than Advaning.
- (e) Abnormal mechanical or environmental conditions.
- (f) Unusual physical or electrical stress -including failure or fluctuation of electrical power, lighting, static electricity, fire, tornadoes, or other natural disasters.

Shipping Damage Claim:

On the occasion of a damage claim, the end user must contact Advaning and the delivering freight carrier within 3 days of signing for the delivery in order to make a claim. Failure to report freight damage and missing parts in a timely manner and in accordance to the carrier's guidelines may result in you incurring all costs.

Likewise, there are 7 days to report missing parts to Advaning.

For more information, please contact the corporate office.

Advaning Customer Service Center
Toll Free (US): (855) 574-0158
Email: service@advaning.com
Monday through Friday 8:00 am to 4:00 pm (Pacific Standard Time)

CONTACT
INFORMATION

Service Questions: service@advaning.com

Toll Free (US): 855-574-0158

Fax: 877-310-3832

12282 Knott Street, Garden Grove, CA 92841

www.advaning.com