

TUNGSTEN SMART-HEAT™ GAS HEATER BY BROMIC

INSTALLATION, INSTRUCTION AND SERVICE MANUAL

SUITABLE FOR GAS RADIANT HEATER MODELS:
TUNGSTEN 300 - BURNER AND TUNGSTEN 500 - BURNER



DANGER

If you smell gas:

1. Shut off gas to the appliance
2. Extinguish any open flame
3. If odor continues, keep away from the appliance and immediately call your gas supplier or fire department.



WARNING: For Outdoors Use Only.

ENGLISH VERSION FROM PAGES 1 - 27



WARNING

Do not store or use gasoline or other flammable vapor and liquids in the vicinity of this or any other appliance.

An LP-cylinder not connected for use shall not be stored in the vicinity of this or any other appliance.



WARNING: Improper installation, adjustment, alteration, service or maintenance can cause property damage, injury or death. Read the installation, operating and maintenance instructions thoroughly before installing or servicing this equipment.

This manual contains important information about the assembly, operation, and maintenance of Tungsten Smart-Heat Series Heaters. Please pay close attention to the important safety information shown throughout this instruction manual. Any safety information will be accompanied by the following safety alert symbols:

 DANGER,  WARNING,  IMPORTANT

- READ THIS MANUAL CAREFULLY before installing or servicing this product.
- Improper installation, operation, or maintenance can result in death, severe injury, or property damage.
- Installation must be carried out by Authorized person/s in accordance with local codes, or in the absence of local codes, with the National Fuel Gas Code, ANSI Z223.1/NFPA 54, Natural Gas and Propane Installation Code, CSA B149.1, or Propane Storage and Handling Code, B149.2.
- The heater, when installed, must be electrically grounded in accordance with local codes or, in the absence of local codes, with the National Electrical code, ANSI/NFPA 70 or the Canadian Electrical Code, CSA C22.1.
- This appliance is to be used ONLY for outdoor use
- When installed outdoors this appliance MUST be protected from rain.

**BROMIC**[®]
HEATING

Head Office: 10 Phiney Place Ingleburn NSW 3565 Australia
Telephone: 1300 276 642 (within Australia) or +61 2 9426 5222 (from overseas)
Email: info@bromicheating.com **Web:** www.bromicheating.com

Note: Bromic Heating Pty Ltd reserves the right to make changes to specifications, parts, components and equipment without prior notification. This Installation, operation and service manual may not be reproduced in any form without prior written consent from Bromic Heating Pty Ltd.

CONTENTS

IMPORTANT NOTES & WARNINGS	4
PRODUCT OVERVIEW	5
PRODUCT DESCRIPTION	5
SPECIFICATIONS	5
GENERAL INFORMATION	6
PRODUCT FEATURES	6
INSTALLATION REQUIREMENTS	6
GAS REQUIREMENTS	6
INSTALLATION CLEARANCES	7
INSTALLATION INSTRUCTIONS	8
HEATER INSTALLATION INSTRUCTIONS	8
GAS SUPPLY INSTALLATION	12
POWER SUPPLY INSTALLATION	12
LEAKAGE TEST	12
HEAT DEFLECTOR INSTALLATION INSTRUCTIONS	13
CEILING MOUNT POLE INSTALLATION INSTRUCTIONS	13
OPERATING INSTRUCTIONS	14
TURNING THE APPLIANCE ON	14
TURNING THE APPLIANCE OFF	14
MAINTENANCE AND SERVICING	14
REGULAR SERVICE REQUIREMENTS	14
EXTERIOR SERVICING	14
OPTIMUM MOUNTING DISTANCE	15
HONEYWELL CONTROL	15
HONEYWELL VALVE	16
OPERATION DATA - FENWAL CONTROL BOX	17
DUNGS GAS VALVE	18
WHITE RODGERS GAS VALVE	18
WIRING DIAGRAM	19
REPLACEMENT PARTS	22
POST-INSTALLATION REPORT	24
TROUBLE SHOOTING	25
APPENDIX A	26

IMPORTANT NOTES AND WARNINGS

WARNING

- THIS APPLIANCE SHALL NOT BE INSTALLED OR USED IN RESIDENTIAL DOMESTIC INDOOR AREAS
- CHILDREN AND ADULTS SHOULD BE ALERTED TO THE HAZARDS OF HIGH SURFACE TEMPERATURES AND SHOULD STAY AWAY TO AVOID BURNS OR CLOTHING IGNITION
- YOUNG CHILDREN SHOULD BE CAREFULLY SUPERVISED WHEN THEY ARE IN THE AREA OF THE HEATER
- DO NOT USE OR STORE FLAMMABLE MATERIALS NEAR THIS APPLIANCE
- CLOTHING OR FLAMMABLE MATERIALS SHOULD NOT BE HUNG FROM THE HEATER OR PLACED ON OR NEAR THE HEATER
- DO NOT SPRAY AEROSOLS OR FLAMMABLE MATERIALS IN THE VICINITY OF THIS APPLIANCE WHILE IT IS IN OPERATION
- ANY GUARD OR OTHER PROTECTIVE DEVICE REMOVED FOR SERVICING THE HEATER (conducted by an authorized person) MUST BE REPLACED PRIOR TO OPERATING THE HEATER
- INSTALLATION AND REPAIR SHOULD BE DONE BY A QUALIFIED SERVICE PERSON. THE HEATER SHOULD BE INSPECTED BEFORE USE AND AT LEAST ANNUALLY BY A QUALIFIED SERVICE PERSON

Failure to follow the warnings and instructions in this manual could result in severe personal injury, death or property damage.

- This Installation, Operation and Maintenance manual should not be removed from the site of installation.
- Installer should leave manual with the customer for future reference.
- This Appliance is for outdoor areas only. (see attached diagrammatical representations of outdoor areas "Appendix A").
- Do not perform maintenance until heater has been turned off, power disconnected, and heater temperature has cooled to room temperature.
- Do not expose the burner to water or moisture. **THE APPLIANCE IS TO BE PROTECTED FROM RAIN.**
- Do not use the heater if any of these parts are exposed to water until the appliance is inspected or repaired by an authorized service person.
- The installer is to ensure that the requirements of the local authority, local gas fitting regulations, municipal building codes, and any other relevant statutory regulations are carried out.
- Certain materials or items, when stored under or near the appliance, will be subjected to radiant heat and could be seriously damaged. Ensure combustible materials eg. overhead structures, walls, floors, furniture, fixtures and plants are kept at least 3ft from the top and side.
- The whole gas system, hose assembly, regulator, pipes, and burner should be inspected for damage and leaks before use and at least annually by an authorized person for the life of the heater.
- All leak tests should be done with a soap solution. Never use an open flame to check for leaks.

- Do not use the heater until all connections have been leak tested by an authorized person.
- Inspect the hose assembly before each use of the appliance.
- The hose assembly must be replaced prior to the appliance being put into operation if there is evidence of excessive abrasion or wear, or if the hose is damaged.
- The replacement hose assembly must be CSA approved.
- The hose assembly is not to be located in areas where the hose may be subject to accidental damage
- This radiant heater is NOT intended to be installed on recreational vehicles and/or boats.
- Repair to be carried out ONLY by an authorized person.
- Improper installation, adjustment, or alteration can cause personal injury, property damage, or even death.
- Do not attempt to alter the unit in any manner.
- Remove transit protection before use.
- Never operate the heater in an explosive environment such as areas where gasoline or other flammable liquids or vapours are stored.
- Turn off the gas supply immediately if smell of gas is detected.
- Do not paint any surface of the heater.
- Do not throw objects at the heater.
- Control compartment, burner and circulation air passageways of the heater must be kept clean. Frequent cleaning may be required as necessary.
- Turn Gas Supply off when not in use.
- Check the heater immediately if any of the following occurs:
 - » The heater does not reach temperature.
 - » The burner makes popping noise during use (a slight noise is normal when the burner is ignited or extinguished).
- Young children should be supervised to ensure that they don't play with the appliance.
- This appliance is not intended for use by young or infirm persons unless they have been adequately supervised by a responsible person to ensure that they can use the appliance safely.
- Check for damage to the appliance regularly. If damage to the cord, plug or appliance is suspected, discontinue use immediately and contact the supplier or qualified person for repair.
- If the cord, plug or appliance is damaged, unplug from the outlet, discontinue use immediately, and only an authorized person or similar may repair the unit.
- Avoid inhaling fumes emitted from the heater's first use. Smoke and odour from the burning of oils used in manufacturing will appear. Both the smoke and odour will dissipate after approximately 30 minutes.
- Ensure that a watertight seal is maintained on the electrical control box at all times
- Regularly check for damage to the rubber seals. If damage to the rubber seals is suspected, discontinue use immediately, switch off power and contact the place of purchase or authorized service technician for repair.

PRODUCT OVERVIEW

PRODUCT DESCRIPTION

The Tungsten Smart-Heat Gas Radiant Heaters are designed to provide effective outdoor heating to both commercial and residential premises whilst offering an appealing design.

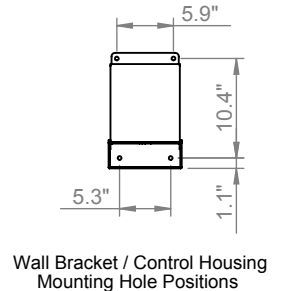
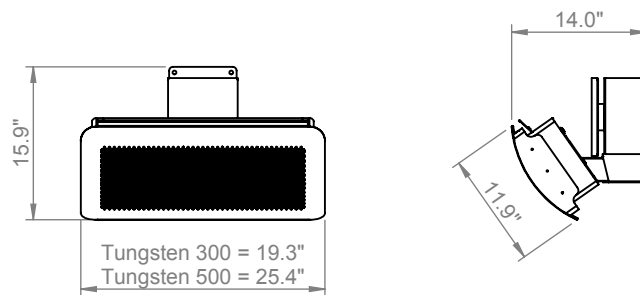
The heaters incorporate full function electronic controls, allowing them to be operated remotely from a conveniently located switch. The heaters have been designed to withstand the rigors of the outdoors.

SPECIFICATIONS

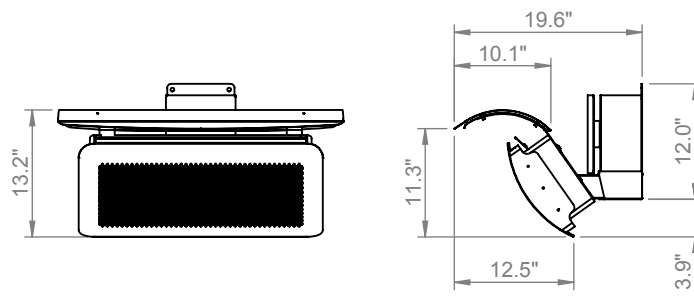
	TUNGSTEN 300		TUNGSTEN 500	
Gas type	Propane (LPG)	NATURAL GAS	Propane (LPG)	NATURAL GAS
Manufactured by	BROMIC HEATING PTY LTD - 1 SUTTON ST SILVERWATER, NSW, 2128, SYDNEY AUSTRALIA.			
Approval No.	ETL & cETL Listing 4009079			
Gas Consumption	26,000 BTU	26,000 BTU	43,000 BTU	43,000 BTU
Gas Type	Propane Gas (LPG) Only	Natural Gas	Propane Gas (LPG) Only	Natural Gas
Max. Line Pressure	14" W.C.	14" W.C.	14" W.C.	14" W.C.
Min. Line Pressure	11" W.C.	6" W.C.	11" W.C.	6" W.C.
Manifold Pressure At Valve Test Point	10" W.C.	5" W.C.	10" W.C.	5" W.C.
Orifice Size	0.85mm	1.3mm	0.85mm	1.3mm
Weight	33lb	33lb	44lb	44lb
Voltage	110 Volt	110 Volt	110 Volt	110 Volt
Current	< 2 Amp	< 2 Amp	< 2 Amp	< 2 Amp

TUNGSTEN SMART-HEAT HEATER DIMENSIONAL DETAILS

Without Heater Deflector



With Heater Deflector



IMPORTANT

This appliance is NOT approved for indoor use and must be installed by authorized persons only in accordance with local codes, or in the absence of local codes, with the National Fuel Gas Code, ANSI Z223.1/NFPA 54, Natural Gas and Propane Installation Code, CSA B149.1, or Propane Storage and Handling Code, B149.2.

This appliance is to be protected from rain. Install under a protective cover.

GENERAL INFORMATION

The Tungsten Series Gas radiant heaters are suitable for outdoor spaces. In addition to the installation instructions provided, authorized installers must abide by *local codes, or in the absence of local codes, with the National Fuel Gas Code, ANSI Z223.1/NFPA 54, Natural Gas and Propane Installation Code, CSA B149.1, or Propane Storage and Handling Code, B149.2*. Please note that these standards are subject to change.

The heater is designed to function in winds up to 10mph. The heater is subject to reduced performance or failure in adverse weather conditions such as high wind or extreme saturation.

PRODUCT FEATURES

Tungsten Smart-Heat gas radiant heaters are revolutionizing the outdoor heating industry by introducing groundbreaking benefits never seen before in traditional gas or electric heaters. Tungsten Smart-Heat heaters have set the industry benchmark with stylish good looks and world-first innovation.

Tungsten Smart-Heat heaters excel in the areas of:

- Aesthetic appeal
- Innovation
- Performance
- Flexibility
- Cost effectiveness

For more detailed product information, visit www.bromicheating.com

INSTALLATION REQUIREMENTS

IMPORTANT

This appliance shall only be used in above ground open-air situations with:

- natural ventilation
- without stagnant areas
- where gas leakage and products of combustion are rapidly dispersed by wind and natural convection

Any enclosure in which the appliance is used shall comply with one of the following:

1. An enclosure with walls on all sides, but at least one permanent opening at ground level (ref. Appendix A, Example 1)
2. Within a partial enclosure that includes an overhead cover and no more than two walls (ref. Appendix A, Example 2)
3. Within a partial enclosure that includes an overhead cover and more than two walls, the following shall apply:
 - At least 25% of the total wall area is completely open (ref. Appendix A, Example 4), and
 - At least 30% of the remaining wall area is open and unrestricted (ref. Appendix A, Example 4)

Note: The definition of outdoors is an above ground open-air situation with natural ventilation, without stagnant areas, where gas leakage and products of combustion are rapidly dispersed by wind and natural convection.

GAS REQUIREMENTS

Tungsten LPG Models:

- Use Propane (LPG) gas only
- The approved manifold pressure to the appliance is 10" W.C.
- The MIN inlet pressure to the appliance is 11" W.C.
- The MAX inlet pressure to the appliance is 14" W.C.

Tungsten Natural Gas Models:

- Use Natural Gas Only
- Always use Natural Gas Regulator (supplied internal to the gas valve)
- Ensure that Inlet pressure to the regulator does not exceed 14" W.C.
- The MIN inlet pressure to the appliance is 6" W.C.
- The approved manifold pressure to the appliance is 5" W.C.

INSTALLATION REQUIREMENTS CONTINUED...

INSTALLATION CLEARANCES

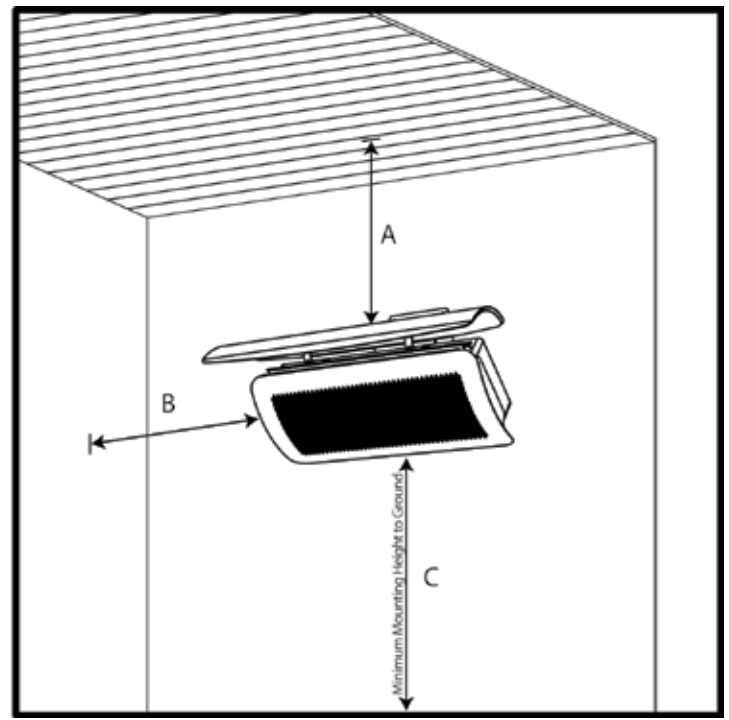
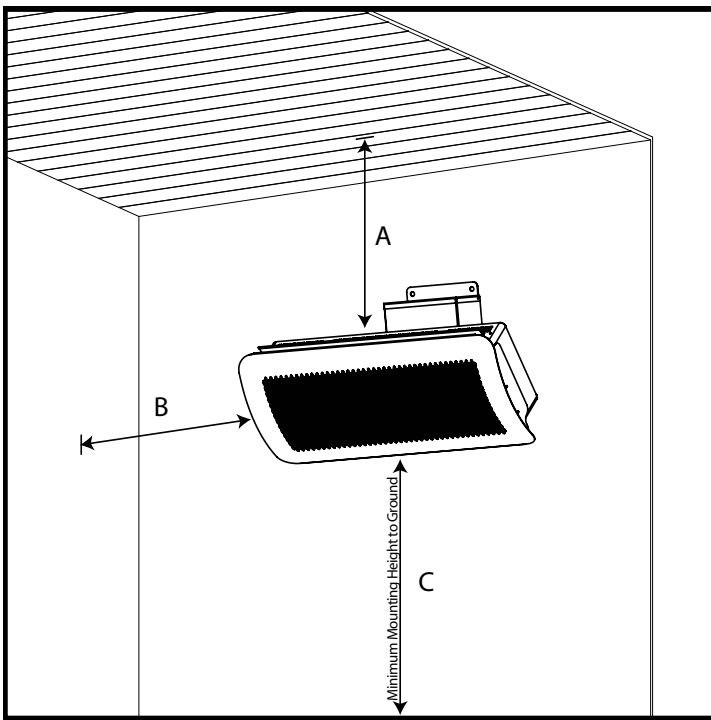
When selecting the installation location for the Tungsten Series Heaters, the following mounting clearances should be followed.

Care should be taken to ensure that the heater is not installed:

- Where heat/ignition can cause damage to gas cylinders/lines
- Near other combustible materials
- In open locations subject to rain
- In indoor residential locations
- In areas without sufficient clearances (refer below)

Note: When Installing with No protective cover, the following installation clearances shall apply:

Note: When installing with the Tungsten Smart-Heat Heat Shield (Part No. 2620165 or 2620166) the following installation clearances Shall Apply:



Minimum height to combustible materials			
Model	A	B	C
300 Series	3ft	3ft	8ft
500 Series	3ft	3ft	8ft

Minimum height to combustible materials			
Model	A	B	C
300 Series	14"	3ft	8ft
500 Series	14"	3ft	8ft

Note: Heater should be installed in such a way so as to allow adequate;
 Clearance around air openings to combustion chamber
 Clearance from combustible material
 Provisions for accessibility and clearance for combustion and ventilating air supply.

INSTALLATION INSTRUCTIONS

HEATER INSTALLATION INSTRUCTIONS

WARNING

This appliance must be installed and used in accordance with local codes, or in the absence of local codes, with the National Fuel Gas Code, ANSI Z223.1/NFPA 54, Natural Gas and Propane Installation Code, CSA B149.1, or Propane Storage and Handling Code, B149.2 and must meet all the requirements stipulated in the "Installation Requirements" section of this manual.

WARNING:

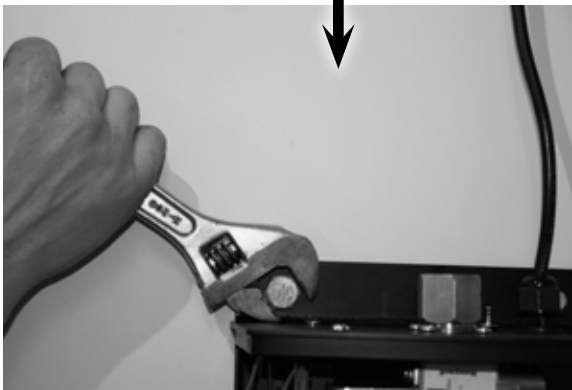
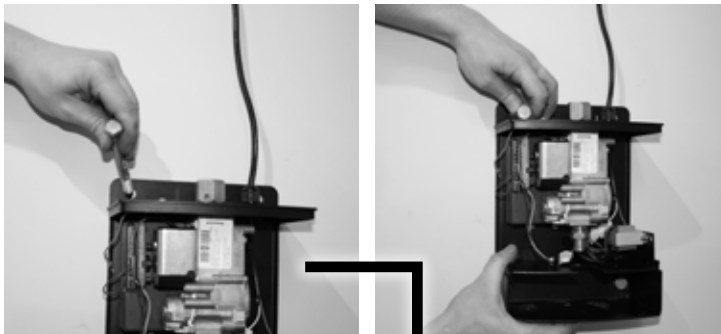
Installation should be done by a qualified service person.

CAUTION

Please see specifications for the weight of the Heater. The installer of the Tungsten Smart-Heat Radiant Heaters must comply with all relevant State Occupational Health & Safety Regulations.

Step 1. Mount Wall Bracket/Control Housing To Wall:

- Remove Wall Bracket/Control Housing From Packaging
- Place the mounting bracket in position and mark the fixing hole location on the wall. Drill holes using appropriate drill size and type.
- Attach the bracket to the wall using appropriate fixtures



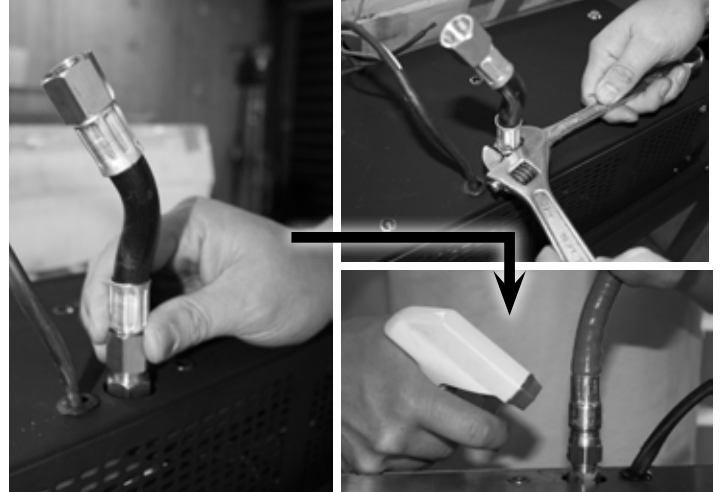
IMPORTANT

The Heater shall be firmly and securely attached to the wall. **For Brick and masonry**, use M8 "Flush Head" "Dynabolts" (or equivalent). **For Wood / Timber fixtures**, use suitable screw fixings no less than 60mm in length.

WARNING

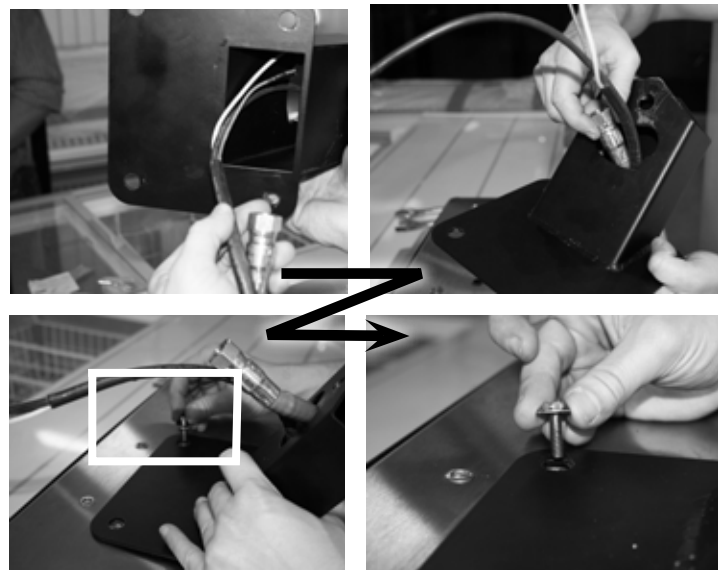
When mounting wall bracket/ control housing, ensure the anchoring to the structure is of sufficient strength, quality and workmanship to support the weight of the heater and any other load that could be applied to the fixture.

Step 2. Connect CSA approved Flexible Gas Connector (as supplied) to the inlet fitting on the heater using 2 wrenches to tighten. Leak Test by applying compressed air (1/2" PSI) to open end of flexible hose. Spray gas fittings with a soapy water solution and Check for leaks. Alternatively, leak check can be done after assembly using inspection hole on bracket arm. (see. leakage test section of this manual).



Step 3. Fix Mounting Arm to the back of the heater –

- Slide Gas Connector and Wiring Harness inside the centre of the arm and have them exit through the shaped cut-out on top surface of the arm
- Ensure that the arm faces downwards at a 55° angle
- Position the 4 mounting holes on the arms plate over the corresponding fixtures on the heater – Manipulate the gas hose as necessary to allow for correct alignment
- Insert and tighten 4 M6 bolts as provided to fit mounting arm to heater.

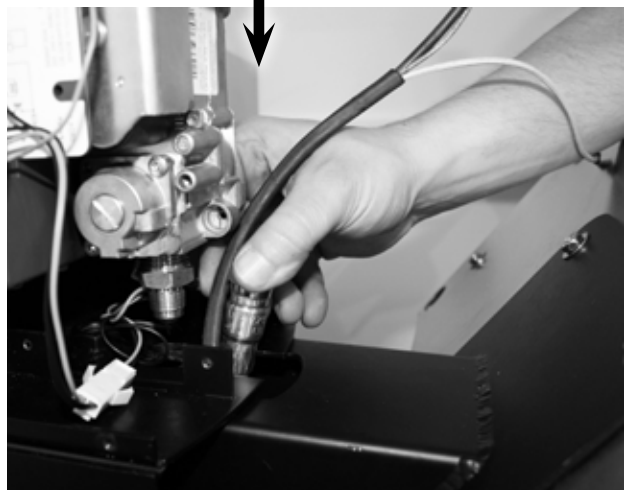
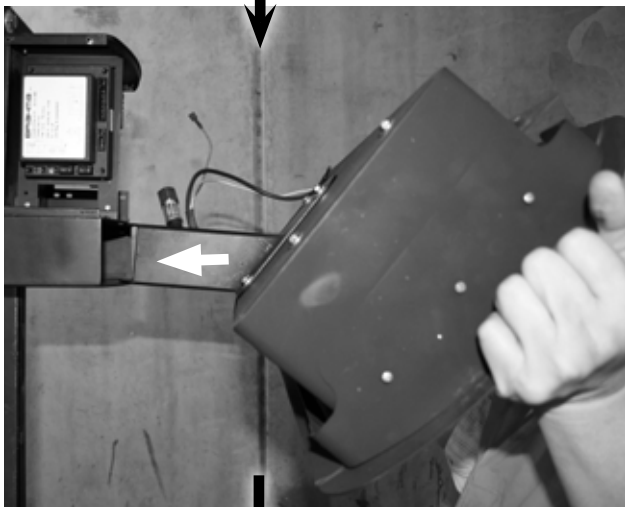


INSTALLATION INSTRUCTIONS CONTINUED...

Step 4. Attach Heater to Wall Bracket/Control Housing

- Remove Front Cover from Control Housing
- Attach Heater to Wall Bracket/Control Housing by inserting Mounting Arm into lower channel of Wall Bracket. Ensure that the Gas Hose and Wiring Harness slide through the groove on top side of the control Housing's lower channel and remain undamaged by the metal's edges during assembly.
- It may be necessary to manipulate the gas Hose so that the arm can slide into place.

TIP: Do not install the mounting pin at this point.



Step 5. Connect the CSA approved flexible connector to the Gas Valve Outlet Fitting

- Position heater and hose so that the gas hose and fitting are in alignment
- NOTE: ensure that the hose nut and valve fitting are parallel to one another and threads are engaged correctly before tightening! Incorrect installation can cause gas leaks and damage components.

TIP: Sliding the mounting arm inside the control housing's channel can help accurately Position the Gas hose in place under the gas valve's fitting.

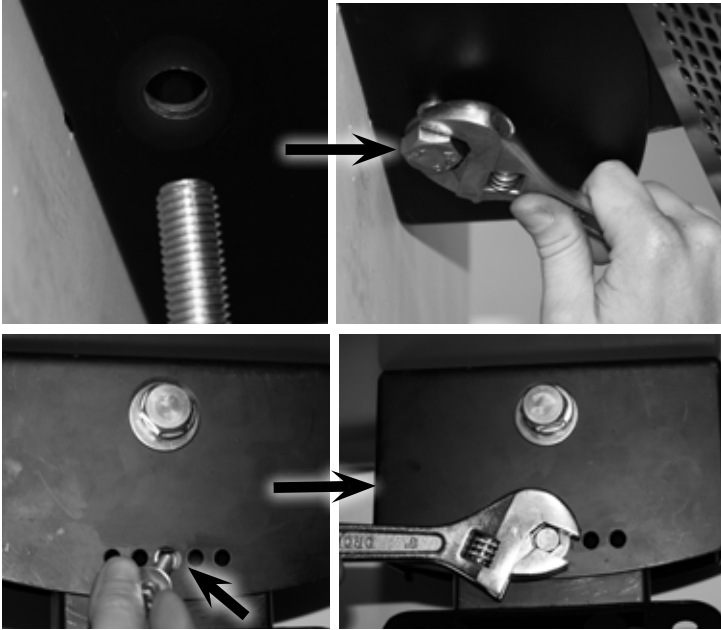
- Spanner Tighten using 2 wrenches, and leak test using soapy water (see section "leakage test")



INSTALLATION INSTRUCTIONS CONTINUED...

6. Insert Pivot Bolt

- Position Arm so that the rear hole's on the mounting arm and Control Housing are in alignment
- Insert Bolt and washer (as supplied) through Control Housing and Mount Arm, using the hole located on the bottom surface of the Control Housing, towards the rear. Spanner tighten in place
- Select desired heater angle and insert the M6 Bolt and washer (as supplied) through the bottom surface of Control Housing into the mounting arm, using the corresponding hole. (Heaters angle will be 0°, 10° or 20°). Spanner tighten in place



IMPORTANT

Electrical connections must be completed by trained and authorized electrical technicians only!

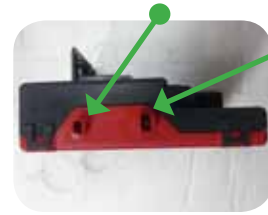
7. Connect the 3 wires from the heater by carefully following the instructions below

PLEASE NOTE: THERE IS NO NEED TO REMOVE OR UNPLUG THE CONTROL MODULE FROM THE GAS VALVE OR WALL BRACKET ASSEMBLY

For Honeywell Control

- Using a pair of needle nose pliers, grip the white ionisation terminal as shown, being mindful of the terminal pins of the control module.

Ignition (smaller terminal)



Ionisation (larger terminal)



- Insert the ionisation terminal into the terminal pin furthest away.
- Ensure that the terminal firmly clicks into place.



- Insert Repeat the process with the black ignition cable inserting the terminal into the closer, smaller terminal pin.



- Insert Plug the green earth terminal into one of the available spade terminals attached to the top of the wall bracket.



INSTALLATION INSTRUCTIONS CONTINUED...

For Fenwal Control

- Feed wiring harness (3 wires) through opening under Fenwal controller so that wires are positioned to the left of the controller.



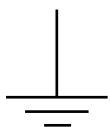
- Connect black ignition cable directly to control box at terminal marked:



- Connect white ionisation cable directly to control box at terminal marked: S1



- Connect ground terminal over ground tab, attached to body of control housing and marked with the symbol:



8. Connect gas inlet fitting to mains gas supply in accordance with local gas installation code and gas supply installation section of manual. Leak test with soapy water.



9. Fix Front cover to control housing using the 4xM4 screws provided.



10. Main Power supply connection is to be completed in line with instructions in the "Power supply installation" section of this manual.

IMPORTANT

Ensure that a water tight seal is maintained.

IMPORTANT

After gas installation and electrical installation is complete, all gas lines should be tested for leaks using a soapy water solution. See Section titled "Leakage Test" for further information. Ensure gas pressure meets the requirements outlined in Gas Supply Installation above.

GAS SUPPLY INSTALLATION

IMPORTANT

- All gas supply installation work must be performed by trained and authorized person(s) and comply with the requirements of local Gas Installation Codes.
- All Piping Joints should be tested for leaks with a soapy water solution before use.
- Gas hose must be located out of pathway where people may trip over it, or in areas where the hose may be subject to accidental damage.

Verify the type of gas supply complies with the appliance rating plate, located at the back of the heater.

The inlet connection to the heater control box is a 1/2" NPT Female.

The Control box has been fitted at the factory with an approved manual isolating valve in accordance with local Gas Installation Codes.



Tighten all the connections and then turn on the gas supply. Check for gas leakage with a soapy water solution. (See section titled "Leakage Test").

Do not use an open flame to check for leaks.

When the heater is operating, check gas pressure at the test point and ensure the manifold pressure to the heater is:

NG: 5" W.C.
PROPANE / LPG: 10" W.C

Gas supply pressure must be limited to 14" W.C. If gas line pressure exceeds this level, a separate pressure reducing regulator must be installed.

The appliance and its individual shutoff valve must be disconnected from the gas supply piping system during any pressure testing of that system at test pressures in excess of 1/2 psi.

The appliance must be isolated from the gas supply piping system by closing its individual manual shutoff valve during any pressure testing of the gas supply piping system at test pressures equal to or less than 1/2 psig.

POWER SUPPLY INSTALLATION

WARNING

This heater is equipped with a three-prong (grounding) plug for your protection against shock hazard and should be plugged directly into a properly grounded three-prong receptacle. Do not cut or remove the grounding prong from this plug.

The Tungsten Smart-Heat Heater comes standard with 36" of power cord in addition to the Approved 3 pin power plug.

If an appropriate power socket is available, the heater can be plugged into this power socket and operated using the on/off switch supplied on the power socket. Alternatively, the power installation can be tailored to suit the site requirements by an Authorized Electrician.

Keep electrical supply cord away from any heated surface and flue gasses.

Please Note:

Tungsten Smart-Heat Heaters do not have their own on/off switch. Operation should be controlled via the main power

WARNING

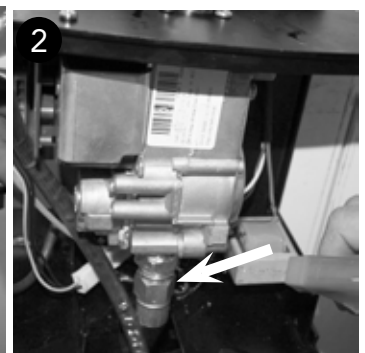
Ensure that power socket is switched off before plugging in power cord.

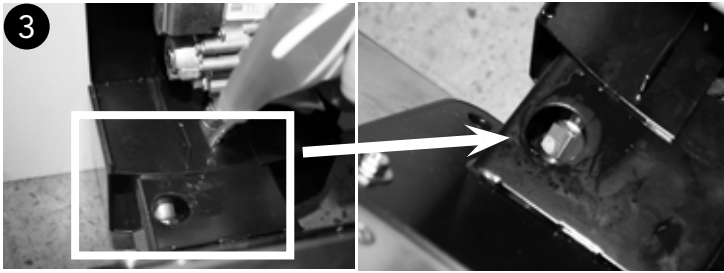
supply.

LEAKAGE TEST

Gas connections on the heater are leak tested at the factory prior to shipment. A complete gas tightness check must be performed at the installation site due to possible mishandling in shipment or excessive pressure being applied to the heater. Check ALL connections.

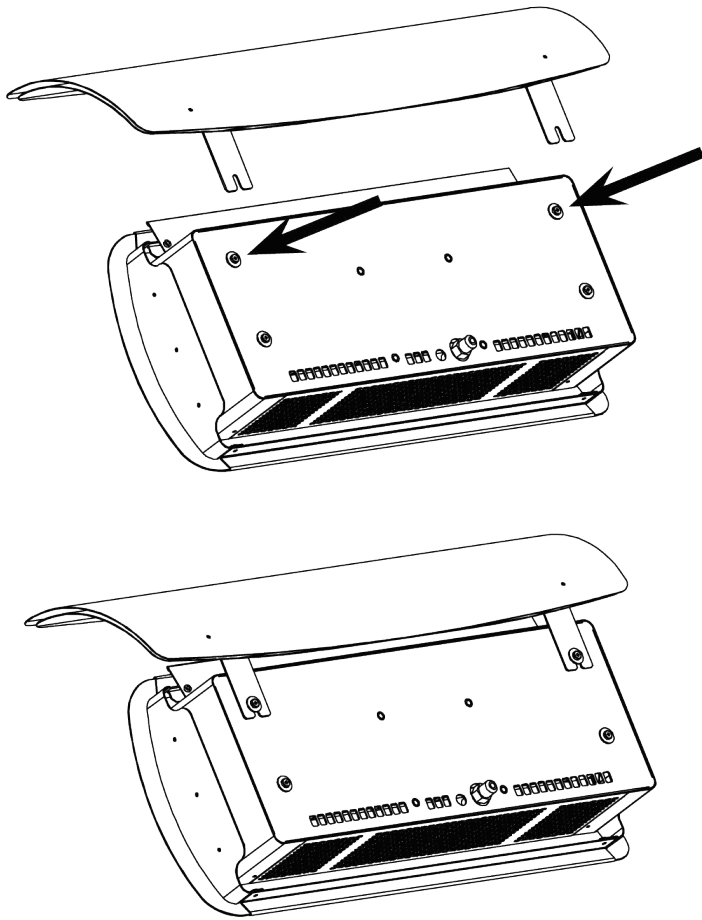
- The heater must be checked with the gas supply turned on.
- Make sure the safety control valve is in the OFF position.
- Make a soap solution of one part liquid detergent and one part water. The soap solution can be applied with a spray bottle, brush or rag. Soap bubbles will appear in case of a leak.
- Turn the gas supply ON.
- In case of a leak, turn off the gas supply. Tighten any leaking fittings, then turn the gas supply on and recheck.
- Never leak test while smoking.
- The following points MUST be leak checked before operation.





HEAT-DEFLECTOR INSTALLATION

1. Assemble Heat Deflector following instructions supplied in the Heat Deflector carton.
2. Mount Heat Deflector to back of heater by loosening the two screws and secure brackets underneath washers. Re-tighten screws to original position using screw driver.



CEILING POLE INSTALLATION

1. Mount Top Bracket to ceiling or support beam using suitable fixings no less than 60mm length.

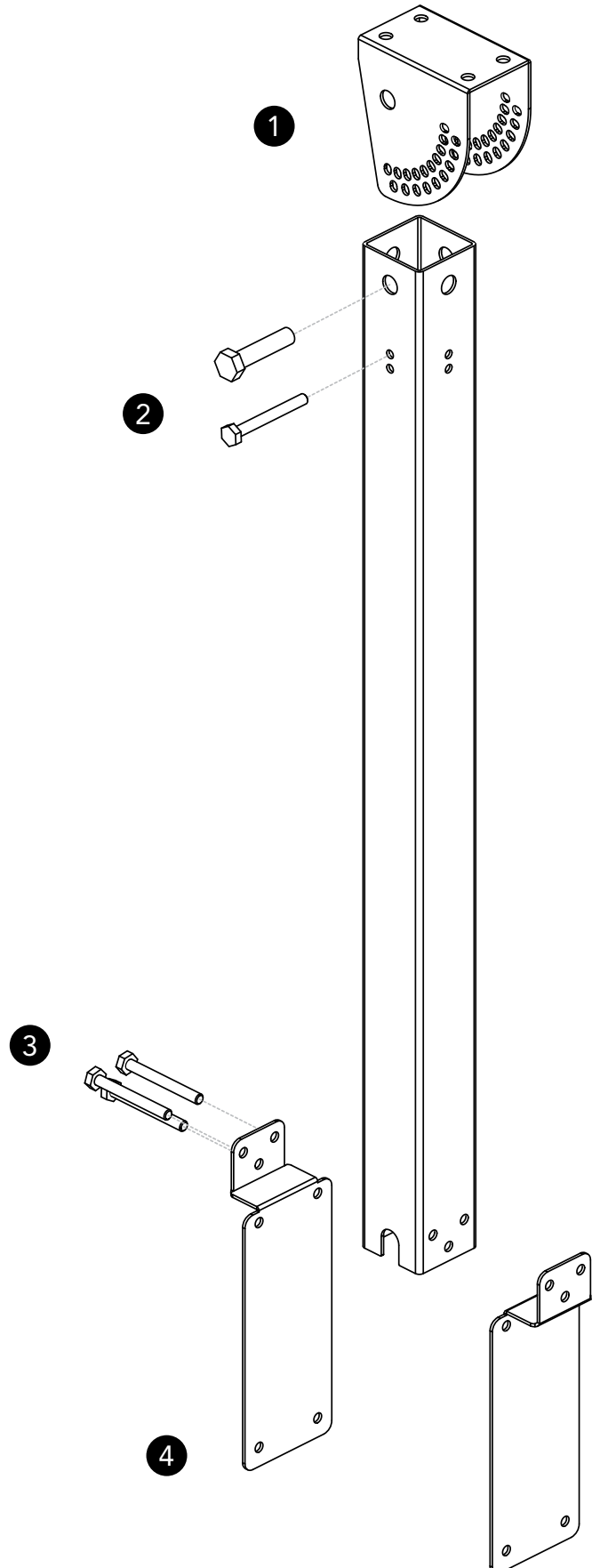
WARNING

When mounting ceiling pole, ensure the anchoring to the structure is of sufficient strength, quality and workmanship to support the weight of the heater and any other load that could be applied to the fixture.

2. Assemble pole to the mounting bracket using the M8x100mm and M19x100mm bolts, and fix using nuts and washers (as supplied).
3. Assemble both lower paddles to the pole (back to back) and insert 3 M10x100mm bolts and fix using nuts and washers (as supplied).

4. Fix Heater to Lower paddles using suitable fixtures.

NOTE: Tungsten Heating recommends running power and gas lines, to the heater, inside the pole to reduce visibility and likelihood of damage.



OPERATING INSTRUCTIONS

TURNING THE APPLIANCE ON

1. Ensure that gas installation and power installation has been carried out in accordance with the manufacturers instructions outlined in this document.
2. Turn on gas supply.
3. Ensure correct gas supply pressures are set.
4. Switch on power to heater.
5. If Gas heater does not light, turn power off.
6. Wait 5 seconds before turning power back on. If heater does not ignite after 5 attempts, consult the troubleshooting section of this manual, or contact Bromic Heating Pty. Ltd for service information.

TURNING THE APPLIANCE OFF

1. For temporary shutdown, turn off power.
2. For permanent shutdown, turn off power and shut off gas supply.

NOTE: The appliance must be completely shutoff for a period of 5 minutes before being relighted.

IMPORTANT

Check the heater immediately if any of the following occurs:

- The heater does not reach temperature.
- The burner makes popping noise during use (a slight noise is normal when the burner is ignited or extinguished).

Note: Avoid inhaling fumes emitted from the heater's first use. Smoke and odour from the burning of oils used in manufacturing will appear. Both the smoke and odour will dissipate after approximately 30 minutes.

Installers please Note:

When the installation and testing is completed, make sure that the customer knows how to operate the heater. Leave the operating instructions with the customer.

MAINTENANCE AND SERVICING

It is important that regular maintenance is carried out on the heater to maintain efficient operation. All maintenance should be carried out **ONLY** by authorized service personnel.

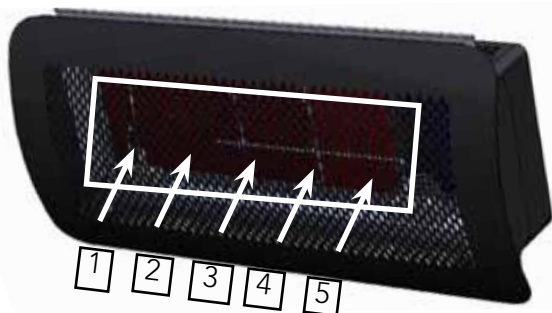
Control compartment, burner and circulation air passageways of the heater must be kept clean. Inspect and clean at least every six months or more frequently in adverse conditions.

Never obstruct the flow of combustion and ventilation air. Always keep the appliance area clear and free from combustible materials, gasoline and other flammable vapors and liquids.

Do not clean heater with cleaners that are combustible or corrosive.

REGULAR SERVICE REQUIREMENTS

1. CSA approved Gas Hose, located within the mounting arm, must be checked at least once annually. The hose must be replaced if there is any evidence of excessive wear, or if the hose is damaged. The replacement hose assembly must be CSA approved with 3/8"SAE flared ends. To Check the Gas Hose, remove control housing cover by removing 8 screws and slide cover outwards. Alternatively, disassemble heater by reversing the installation instructions as outlined in Installation section of this handbook.
2. **VISUALLY CHECK BURNER FLAMES.** During heaters function visually check that all burners are alight and glowing hot. This can be done by observing the red glow through the face, or by peering down the product combustion passageway. Note: A slight variation in colour is to be expected.



3. **Clean burners:** Burners can be cleaned by directing compressed air (max20PSI) at outlet ports. Avoid directing air at gasket material between ceramic tile and burner cup.
4. **Clean manifold and injectors:** Undo gas hose from gas valve outlet (heater should be switched off) and inject compressed air (max20PSI) down the inlet fittings.
5. **Clean dust and foreign matter from inside of heater housing:** Open up rear housing and clear dust using compressed air (max20PSI) and a damp cloth.
6. Remove debris, spider and insect nests from, control compartment, burner and circulation air passageways of the heater with heavy-duty pipe cleaner or compressed air to keep appliance clean and safe for use. Never clear ports or other openings with toothpicks or other articles that will break and block the ports.
7. In a salt-air environment, such as near an ocean, corrosion occurs more quickly than normal. Check frequently for corroded areas and repair them promptly.

IMPORTANT

More frequent cleaning may be required as necessary. It is imperative that control compartment, burners and circulating air passageways of the heater be kept clean.

EXTERIOR SERVICING

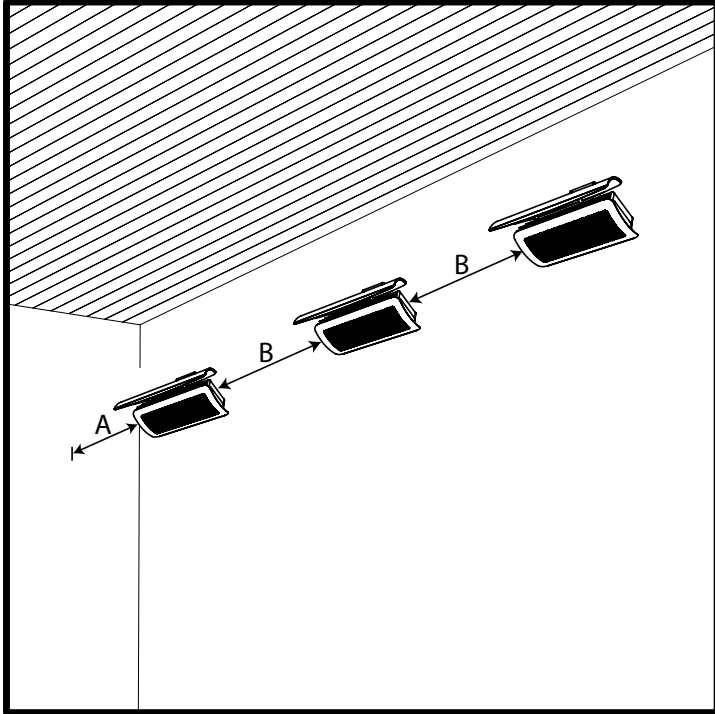
The exterior Tungsten Smart-Heat Heater components are constructed from stainless steel, and high temperature coated black paint. For all exterior black parts (excluding fascia trims), a brushed finish has been used. This is not a coating and under prolonged use, may slightly discolour from high temperatures emitted by the heater. This is a normal occurrence and does not affect the operation of the appliance.

Replacement parts can be purchased to restore the heater to its original appearance from Bromic Heating Pty Ltd. (Refer to parts list in manual).

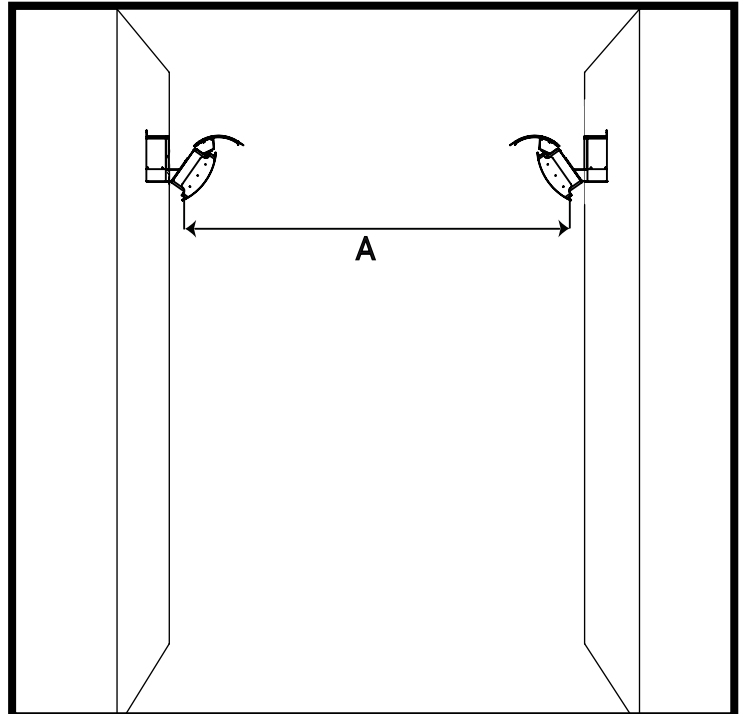
! IMPORTANT

Do not apply any additional surface coating to the heater under any circumstances. Use of additional coating other than those applied during manufacture could result in hazardous reactions such as toxic fumes or fires. Additional coatings will void the warranty.

OPTIMUM MOUNTING DISTANCE



Model	A	B
300 Series	3ft	8 - 10ft
500 Series	3ft	8 - 10ft



Model	A
300 Series	19 - 23ft
500 Series	26 - 29ft

OPERATION DATA - HONEYWELL CONTROL BOX

The following operation sequence is valid only where the components are installed according to the manufactures assembly and installation instructions. Please do not modify the wiring configuration, gas train or any other part of the heater assembly.

Application

The Honeywell electronic gas burner control system is suitable for atmospheric gas burners for non-permanent operation. Although the Honeywell unit is available non volatile lockout, its configuration in the Tungsten Smart-Heat series heaters limits it to volatile lockout, i.e. the restart from this condition is possible by the interruption and subsequent restoration of the mains power supply.

Features:

- Compliance with CSA standard for automatic gas burner flame monitoring and control systems
- Compliance with EN 298 (European standard for automatic gas burner flame monitoring and control systems)
- Compliance with AGA (Australian standard for automatic gas burner flame monitoring and control systems)
- Flame monitoring based on rectification property of the flame (ionisation)

TECHNICAL DATA

Supply voltage	110V-50/60Hz
Operating temperature	-20°C / +60°C
Ambient humidity	90%max at 40°C
Protection degree	IPX4
Timings:	
Self Check time	1.5 s
Safety time (TS)	25 s
Drop out time on running flame failure	1 s
Power consumption, at start up	10VA
Power Consumption, Running	4VA
Ignition	
Ignition Voltage	15kV with 40pF load
Spark repetition rate	33 Hz
Max. Cable length	1M
Recommended spark gap	0.14"
Consumption	2,5 VA
Spark energy	3 uAs

OPERATION DATA - HONEYWELL CONTROL BOX CONTINUED...

Directions for use

- Automatic controls are safety devices and shall not be opened. The manufacturer's responsibility and guarantee are invalid if the control is unduly opened.
- A regulation shutdown must occur every 24 hours to enable the unit to check its own efficiency (systems for non permanent operation)
- Connect and disconnect the unit only after switching off the power supply
- Avoid exposing the unit to dripping water
- Ventilation and the lowest temperature ensures the longest life of the control

Electrical Installation

- Live and Neutral should be connected correctly; a mistake could cause a dangerous situation.
- Before starting the system check cables carefully for incorrect installation
- The earth terminal of the control, the metal frame of the burner and the earth on the mains supply must be well connected

Operation

At every start, the control unit proceeds to a self-checking of its own components. During the pre-purge or waiting time (TW) the internal circuit makes a test of the flame signal amplifier. Extraneous light or fault in the amplifier will result in the simulation of a flame which will prevent the control from starting.

At the end of the waiting or pre-purge time, the gas valve is energised and the ignition device is operated. In this way, the safety time (TS) begins.

If a flame is detected during the safety time, the ignition device is inhibited and the gas valve remains energised.

If the control does not detect any flame signal during the safety time, at the end of safety time (TS), the unit proceeds to lockout and the gas valve and ignition device are switched off.

If the established flame signal is lost, (during the safety time or during operation thereafter) this will cause the ignition device to be reactivated within 1 second.

If the burner does not light within 25 seconds of ignition reactivation, the heater will enter failure lockout mode and must be reset.

OPERATION DATA HONEYWELL VALVE:

The VK series gas control have been specially developed for application in domestic appliances. The Honeywell Gas Valve is a multi-functional control which incorporates an adjustable direct acting pressure regulator. It is designed for operation on 220/240V.

Standard Specifications

- 1/2" G Female Pipe Thread connection
- Ambient Temperature Range of 0°C to 60°C
- Compact Size: 86.5mm x 63.5mm x 65.9mm
- 50mb Pressure Rating
- 1/2" x 1/2" (BSP- G) Inlet and Outlet
- Earthing terminal – 0.24" spade tab
- Tamper resistant screws
- Top mounted coils that can be field replaced

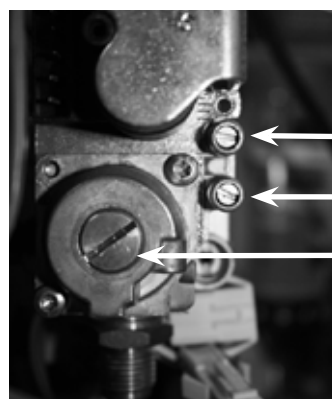
Adjust Regulator Pressure

- Unscrew the regulator cover.
- Unscrew the outlet plug to measure the outlet regulator pressure by using manometer.
- Adjust the pressure by turning the regulator screw clockwise or anti wise.
- Adjust the pressure according to appliance specification.

IMPORTANT

Remember to place the regulator cover, outlet and inlet back on.

TECHNICAL DATA	
Max inlet working pressure	50 mbar
Installation group	Group 2
Operating Temperature	0°C to 60°C
Voltage Ratings	220/240VAC 50/60Hz .52A



Inlet Pressure
Outlet Pressure
Regulator

OPERATION DATA - FENWAL CONTROL BOX

The Series 35-60 is 24 VAC Microprocessor Based Direct Spark Ignition Controls designed for use in all types of heating applications. The control utilizes a microprocessor to continually and safely monitor, analyze and control the proper operation of the gas burner. The following operation sequence is valid only where the components are installed according to the manufacturers assembly and installation instructions. Please do not modify the wiring configuration, gas train or any other part of the heater assembly.

Application

The Fenwal electronic gas burner control system is suitable for atmospheric gas burners for non-permanent operation. The Fenwals configuration in the Tungsten Smart-Heat series heaters limits it to volatile lockout, i.e. the restart from this condition is possible by the interruption (for 5 seconds) and subsequent restoration of the mains power supply.

Features:

- 24 VAC microprocessor based DSI control
- Pressure switch monitoring
- System diagnostic LED
- Alarm output (normally closed contact)
- Automatic reset 1 hour after lockout*
- Custom prepurge and interpurge timings**
- Multiple tries for ignition
- Remote or local flame sensing
- Flame sense test pins

Directions for use

Automatic controls are safety devices and shall not be opened. The manufacturer's responsibility and guarantee are invalid if the control is unduly opened.

A regulation shutdown must occur every 24hours to enable the unit to check its own efficiency (systems for non permanent operation)

Connect and disconnect the unit only after switching off the power supply

Avoid exposing the unit to dripping water

Ventilation and the lowest temperature ensures the longest life of the control

Electrical Installation

- The applicable state and local standards regarding electrical safety must be respected.
- Live and Neutral should be connected correctly; a mistake could cause a dangerous situation.
- Before starting the system check cables carefully for incorrect installation
- The ground terminal of the control, the metal frame of the burner and the ground on the mains supply must be well connected

Operation

When a call for heat is received from the thermostat supplying 24 volts to TH/W, the control will reset, perform a self check routine, flash the diagnostic LED, and a pre-purge delay begins. Following the pre-purge period the gas valve is energized and sparks commence for the trial for ignition period.

When flame is detected during the trial for ignition, sparks are shutoff immediately and the gas valve remains energized. The thermostat and main burner flame are constantly monitored to assure the system continues to operate properly. When the thermostat is satisfied and the demand for heat ends, the main valve is de-energized immediately.

Should the main burner fail to light, or flame is not detected during the trial for ignition period, the control will go into lockout. The valve will be turned off immediately. Multi-try Models will attempt two additional ignition trials before going into lockout. The valve relay will be de-energized immediately.

Recovery from lockout requires a manual reset by removing 24 volts from 24 VAC(R) for a period of 5 seconds. If there is still a call for heat after one hour the control will automatically reset and attempt to ignite the burner again.

If the established flame signal is lost the control will respond within 0.8 seconds. The HV spark will be energized for a trial ignition period in an attempt to relight the burner. If the burner does not light the control will de-energize the gas valve. Multi-try models will make two more attempts to relight the burner. If the burner does not relight the control will go into lock out as noted above. If flame is re-established, normal operation resumes.

TECHNICAL DATA	
Supply voltage	18 to 30 VAC 50-60Hz
Operating temperature	-40°F +176°F
Ambient humidity	95%max at 104°F
Protection degree	IP00
Timings:	
Self Check time	1.5 s
Safety time (TS)	10 s
Drop out time on running flame failure	0.8 s
Power consumption, at start up	300mA Max.
Power Consumption, Running	300mA Max.
Ignition	
Ignition Voltage	15kV with 40pF load
Spark repetition rate	50/60 sparks/ sec.
Max. Cable length	1M
Recommended spark gap	3.5mm

OPERATION DATA - DUNGS GAS VALVE

The Dungs GB Valve is a multifunctional Gas Control with combined regulator and safety shutoff valves.

The pressure regulator includes a servo regulator to regulate pressure fluctuations in the mains supply. This ensures a precise volume flow and constant injector pressure.

To shut down the pressure regulator turn the setting device 25 times clockwise until a soft click can be heard.

Standard Specifications

TECHNICAL DATA	
Gas Connection	1/2" RP
Max Inlet Pressure	65 mbar
Pressure Range	2.5mbar to 38mbar
Nominal Flow	3,3 m3/h (Air)
Ambient temperature	5 °F to -158 °F 32 °F to -158 °F at LPG
Automatic shut-off valves	Class B as per EN 126
Group	2
Pressure Regulator	Class C
Degree of protection	IP40

TECHNICAL DATA	
Opening Time	Fast Opening <1sec Slow Opening <10 sec
Closing Time	<1 sec
Voltage Frequency	~(AC) 50 - 60 Hz 24 V +10 % - 15 %
Load of coil (24 V, 230 V)	2 x 5,5 VA
Electrical connection	Molex System connection coil or Option: Connection box with integrated cable
Installation position	Solenoid at any position between vertical and horizontal axis.

OPERATION DATA - WHITE RODGERS VALVE

The White Rodgers Gas Valve is a compact multi-functional control which incorporates an adjustable direct acting pressure regulator. It operates on 240V.

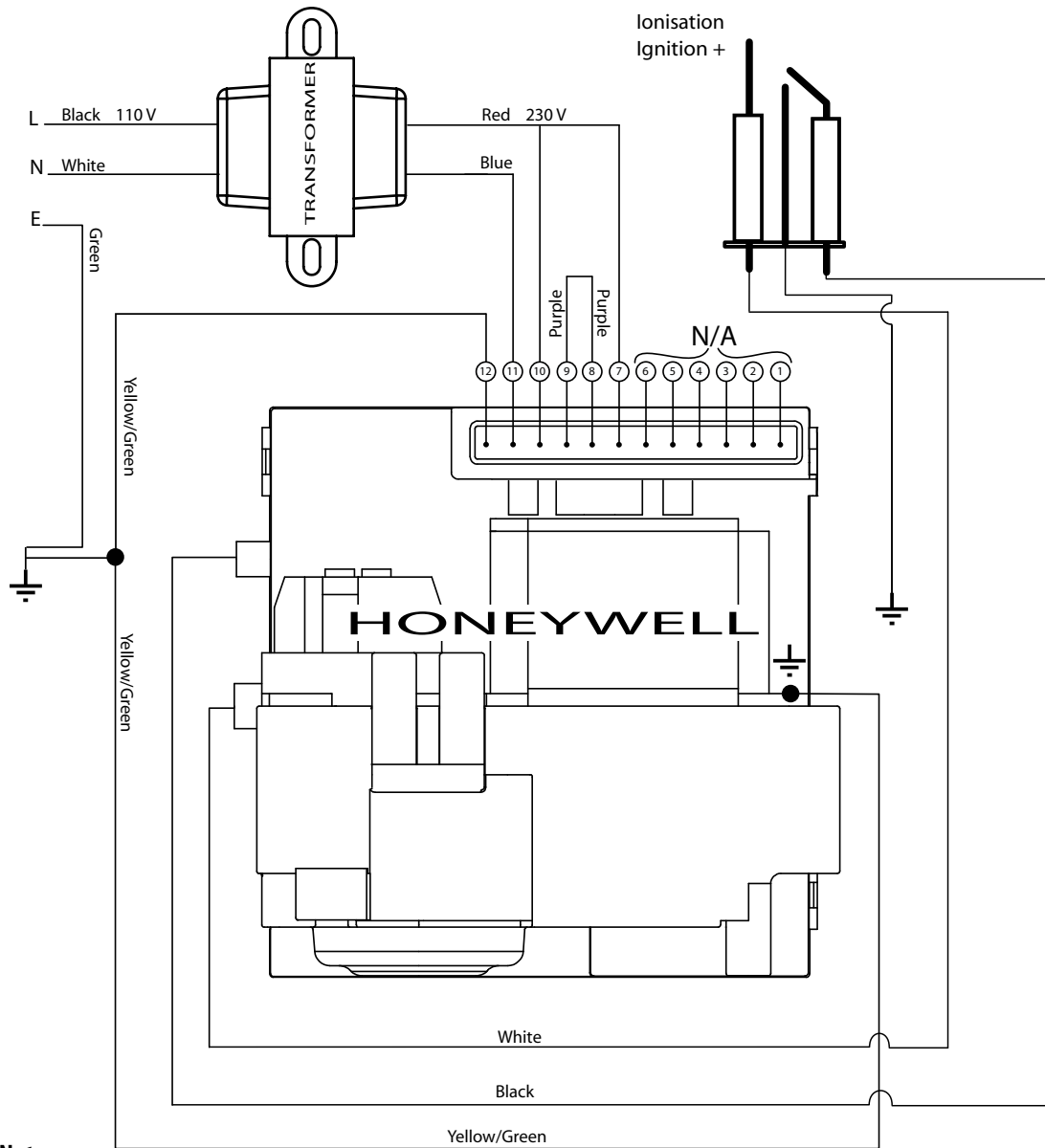
Standard Specifications

- Inlet Screen – will filter to 180 microns
- Ambient Temperature Range of 32°F to -140°F
- Compact Size: 86.5mm (3.4") x 63.5mm (2.5") x 65.9mm (2.6")
- 50mb Pressure Rating
- Class 'B' Group 2 Direct Acting Solenoid Valves with high sealing force
- 3/8" x 3/8" (BSP PI.) Inlet and Outlet
- Opening time < 0.25 seconds
- Closing time < 0.25 seconds
- Earthing terminal – 6mm spade tab
- Tamper resistant screws
- Top mounted coils and electronics that can be field replaced without entering the gas stream.

TECHNICAL DATA	
Max Working pressure	50 mbar
Installation group	Group 2
Operating Temperature	32°F to -140°F
Regulator adjustment range	9.2 to 13.7 mbar
Voltage Ratings	24VAC 50/60Hz

ELECTRICAL DIAGRAM

SEE INSTRUCTION MANUAL FOR DETAILS ON HOW TO CONNECT THE ELECTRICAL COMPONENTS.

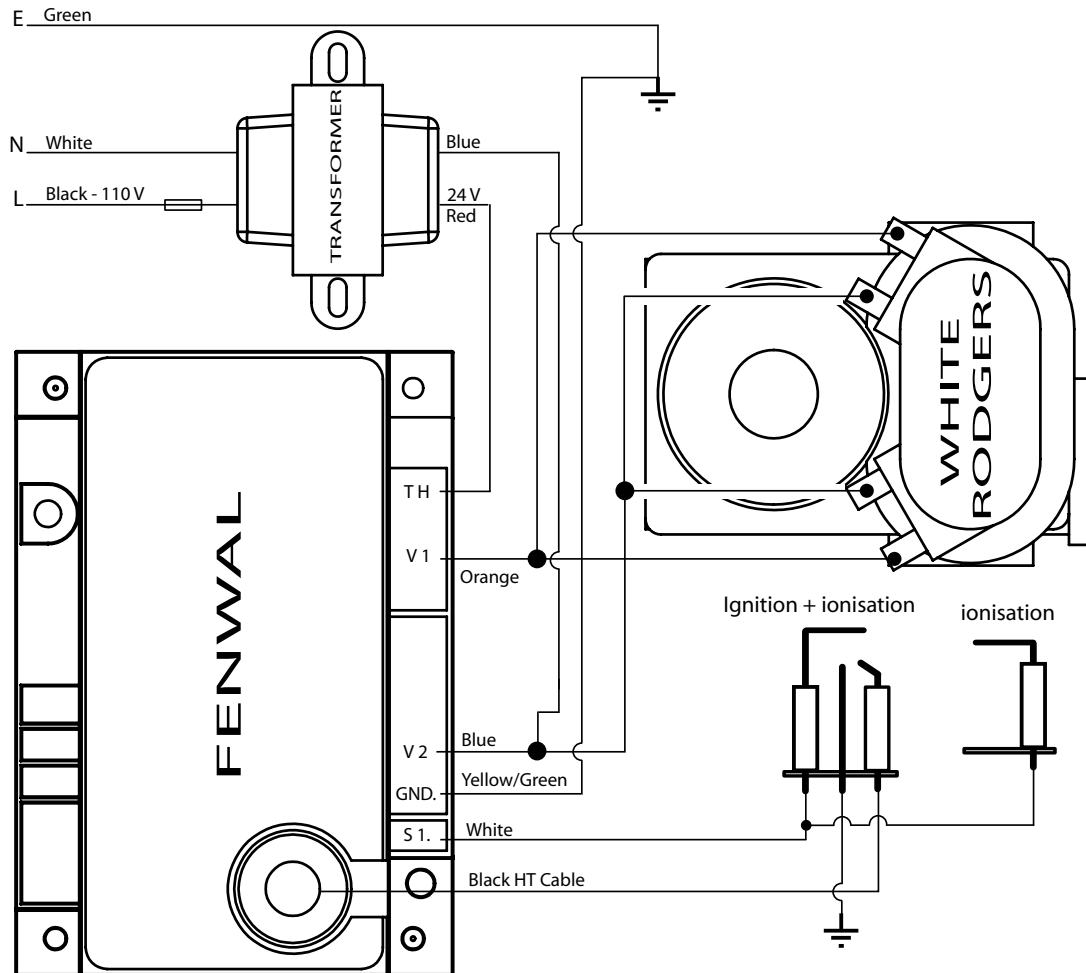


Note:

If any of the original wire as supplied with the heater must be replaced, it must be replaced with 18AWG, 90°C type UL approved wire or its equivalent. If Transformer must be replaced, a UL approved model of similar type must be used.

ELECTRICAL DIAGRAM

SEE INSTRUCTION MANUAL FOR DETAILS ON HOW TO CONNECT THE ELECTRICAL COMPONENTS.

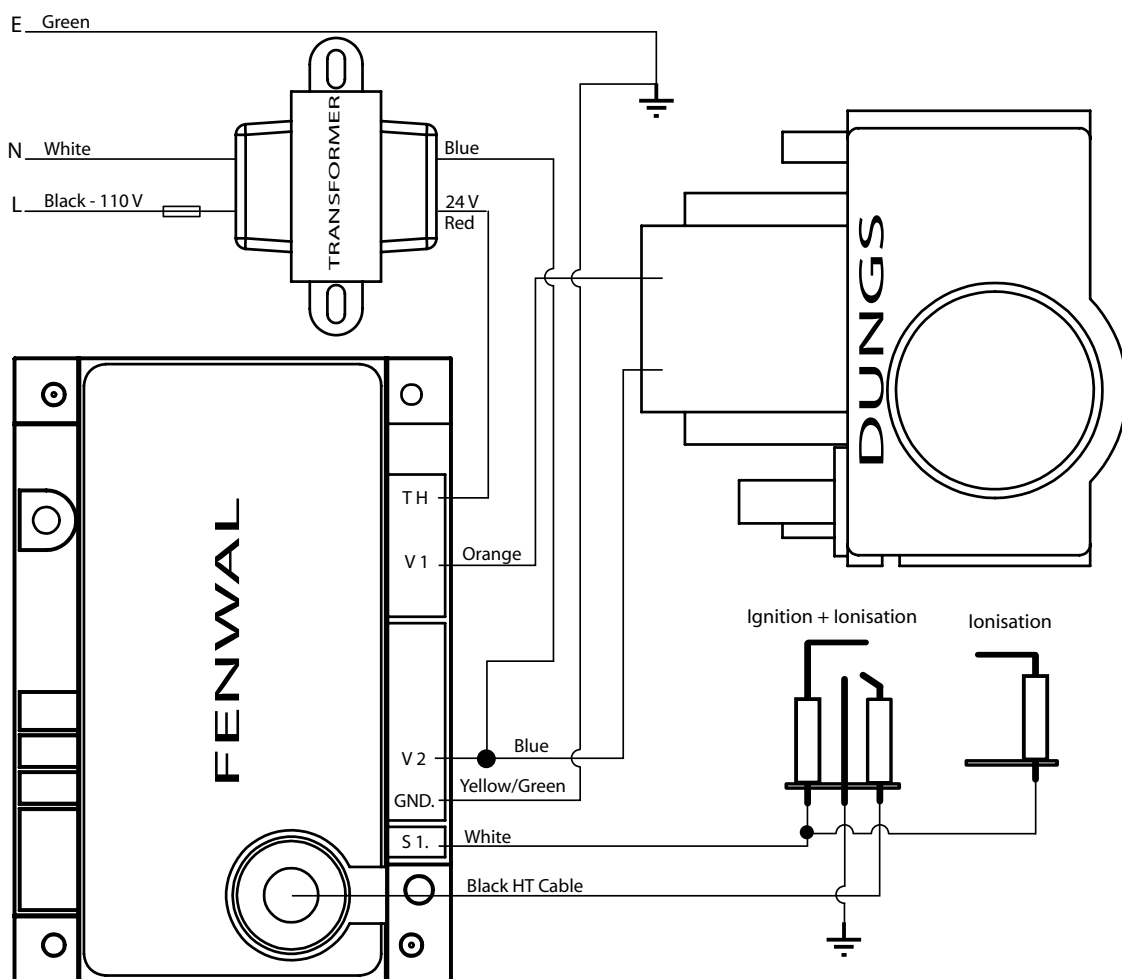


Note:

If any of the original wire as supplied with the heater must be replaced, it must be replaced with 18AWG, 90°C type UL approved wire or its equivalent. If Transformer must be replaced, a UL approved model of similar type must be used.

ELECTRICAL DIAGRAM

SEE INSTRUCTION MANUAL FOR DETAILS ON HOW TO CONNECT THE ELECTRICAL COMPONENTS.

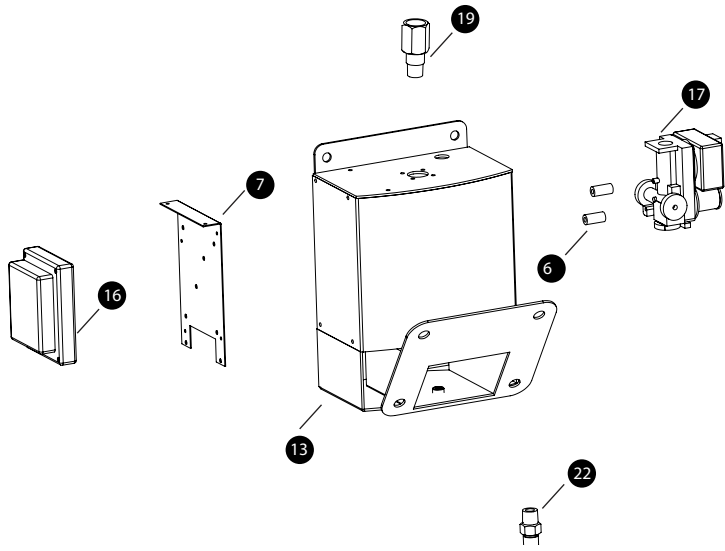


Note:

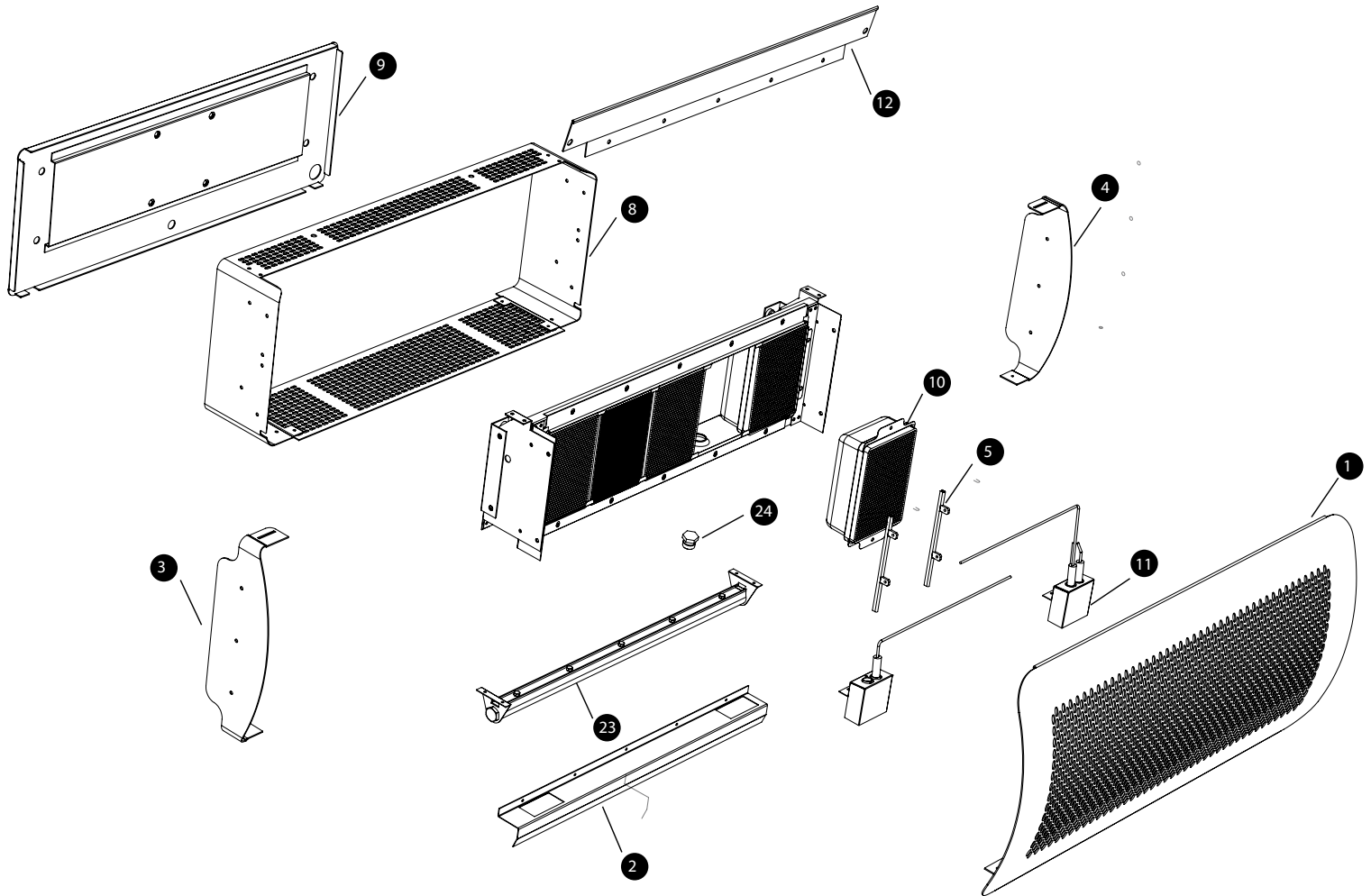
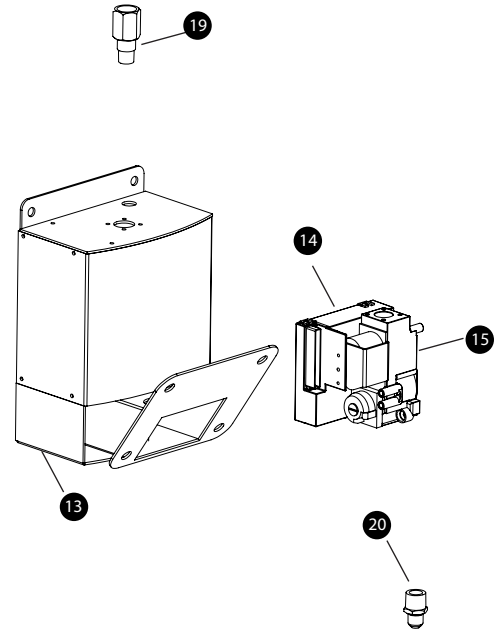
If any of the original wire as supplied with the heater must be replaced, it must be replaced with 18AWG, 90°C type UL approved wire or its equivalent. If Transformer must be replaced, a UL approved model of similar type must be used.

REPLACEMENT PARTS

White Rodger



Honeywell



REPLACEMENT PARTS DESCRIPTION

No.	Description	Part No. 300 Series	Part No. 500 Series
1	Front Cover	BH8080039	BH8080040
2	Flame Protector	BH8080041-1	BH8080042-1
3	Right Side Mount	BH8080043	BH8080043
4	Left Side Mount	BH8080044	BH8080044
5	Ionization Holder Assembly - including Tungsten spacer	BH8080045	BH8080045
6	White Rodger Spacer		
7	Control Mount		
8	Rear Housing	BH8080046	BH8080047
9	Rear Cover Assembly	BH8080048	BH8080049
10	Burner	BH8080030	BH8080030
11	Wiring Harness + Ignitor Assembly- Honeywell	BH8080012-1	BH8080013-1
12	Inner Skin	BH8080031	BH8080032
13	Wall Bracket Assembly	BH8080001-1	BH8080001-1
14	Honeywall Control	BH8080015	BH8080015
15	Honeywell Gas Valve	BH8080014	BH8080014
16	Fenwal Control		
17	White Rodger 24V Gas Valve		
18	Intentionally left blank		
19	Gas Inlet Fitting (Honeywell 1/2" Gas Valve)	BH8080035	BH8080035
20	Gas Outlet Fittings (Honeywell 1/2" Gas Valve)	BH8080036	BH8080036
21	Intentionally left blank		
22	Gas Outlet Fitting (WhiteRodgers Gas Valve)		
23	Manifold Assembly - Natural Gas	BH8080037	BH8080038
23	Manifold Assembly - LPG	BH8080093	BH8080090
24	Injector (LPG)	BH8080016	BH8080016
24	Injector (NG)	BH8080017	BH8080017
25	Wall Bracket Replacement Screw Set including Gas Hose	BH8080051-1	BH8080051-1
26	Intentionally left blank		
27	Deflector Screw Set including arm	BH8080052	BH8080052
28	Transformer – 110V-230V (Honeywall)	BH8080050	BH8080050

Note: For more information on obtaining spare parts contact the place of purchase or

BROMIC HEATING

Head Office: 1 Suttor Street, Silverwater, Sydney, NSW 2128 Australia

Telephone: 1300 276 642 (within Australia) or +61 2 9748 3900 (from overseas) Fax: +61 2 9748 4289

Email: info@bromicheating.com Web: www.bromicheating.com

POST-INSTALLATION REPORT

POST-INSTALLATION REPORT FOR TUNGSTEN SMART-HEAT GAS RADIANT HEATERS

AFTER HEATER INSTALLATION PLEASE PHOTOCOPY, COMPLETE, & SEND THIS REPORT BY:
FAX TO (02) 9748 4289 or BY MAIL TO Bromic Heating Pty Ltd, Suite 1305, 13223 Black Mountain Road
San Diego, California 92129 USA or SCAN AND EMAIL TO info@bromicheating.com

Customer Business Name:

Date: dd / mm / yyyy

Site Address:

Suburb:

State: Postcode:

Customer Contact Details:

Name:

Position:

Ph: () Fax: ()

Mobile:

Installer Contact Details:

Name:

Position:

Ph: () Fax: ()

Mobile:

Please fill in the relevant information or circle the appropriate Yes/No responses below:

How many Tungsten Smart-Heat heaters are installed on this site?	300: _____	500: _____
What type of gas is used?	Propane	Natural Gas
Is/Are the heater(s) exposed to salt air or any other corrosive or chemical atmosphere?	Yes	No
Does the heater(s)' installation location pose a hazard to the site?	Yes	No
Do heater clearances match the minimum requirements outlined in the "Installation Requirements" section of the <i>Installation, Operation and Service Manual</i> ?	Yes	No
Is the gas supply line adequately sized for the number of heaters installed?	Yes	No
Have gas lines been purged of air?	Yes	No
Have gas lines been checked for leaks with a soapy water solution?	Yes	No
Was the heater field tested and operated without malfunction?	Yes	No
What is the inlet gas supply pressure?	_____ kPa	
What is the gas valve outlet pressure (at test point)?	_____ kPa	

Signature of authorised person:

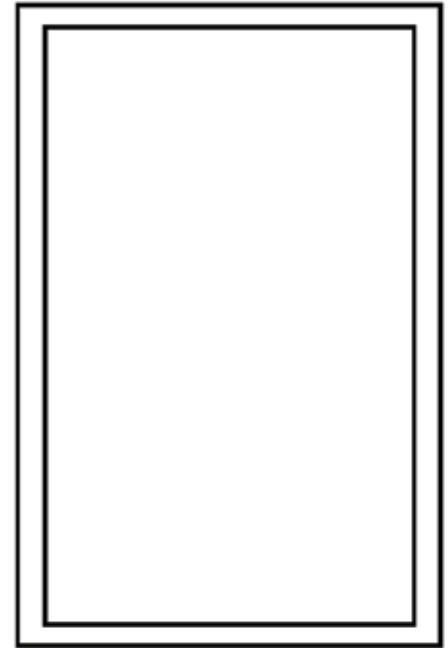
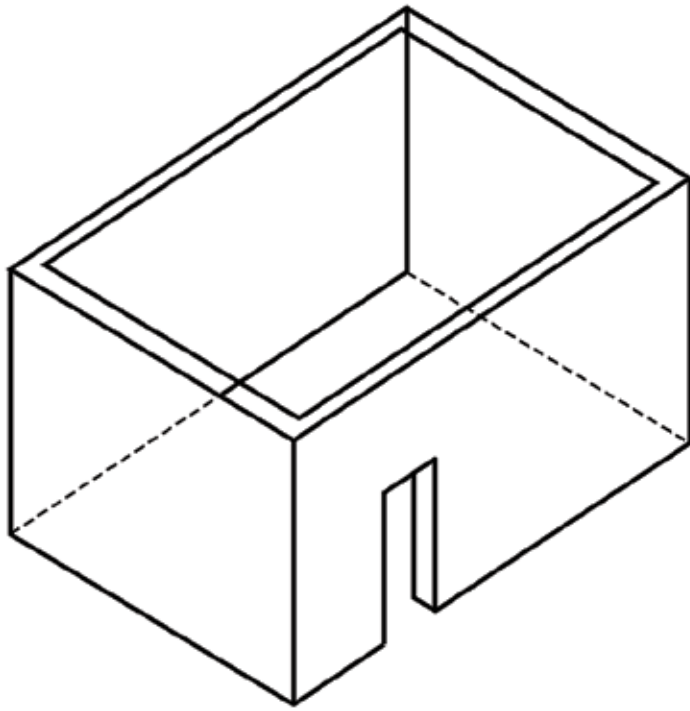
Name:

Company: Position:

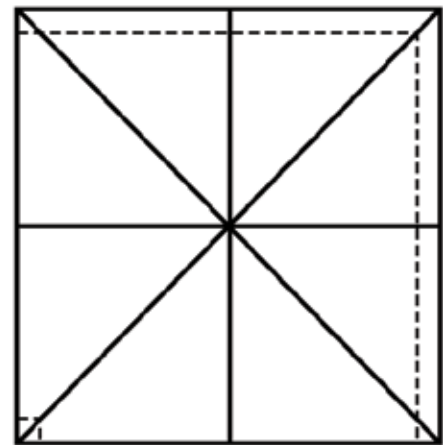
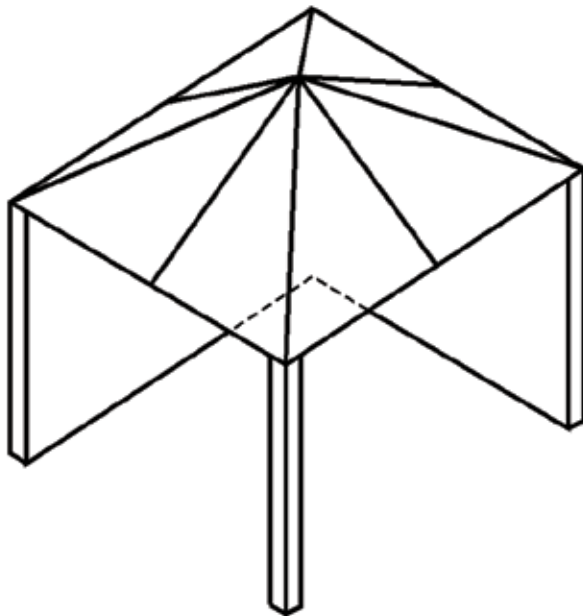
Date: dd / mm / yyyy

TROUBLESHOOTING

SYMPTOM	POSSIBLE CAUSE	CORRECTIVE ACTION
Heater will not turn on	<ol style="list-style-type: none"> 1. No power 2. No gas 	<ol style="list-style-type: none"> 1. Have authorized electrician check power supply 2. Have authorized gas fitter check gas supply
Heater turns on, but then cycles on and off	<ol style="list-style-type: none"> 1. Insufficient flame on ionisation rod 2. Drafty conditions 3. Insufficient earth connection between heater and control box 	<ol style="list-style-type: none"> 1. <ul style="list-style-type: none"> • Check and set gas pressure • Check and clear obstruction to burner venturi and injectors 2. Discontinue use in high winds 3. Replace wiring harness and clean connections to ensure good grounding
No gas	<ol style="list-style-type: none"> 1. Air in gas line 2. Manual shut-off valve closed 3. Regulator sticking 4. Regulator reversed 	<ol style="list-style-type: none"> 1. Purge line 2. Open valve 3. Replace regulator 4. Remove and install properly
Low ceramic tile surface temperature	<ol style="list-style-type: none"> 1. Low manifold gas pressure 2. Low gas inlet pressure 3. Orifice partially blocked with foreign matter 4. Combustion by-products not adequately ventilated 5. Manifold misaligned from excessive torque applied on pipe at installation 6. Gas supply piping too small 7. Foreign matter in venturi tube 	<ol style="list-style-type: none"> 1. Adjust valve regulator until 5" W.A for natural gas, or 11" W.A for propane is obtained 2. Adjust main supply regulator until at least 6" W.C for natural gas or 11" W.C for propane precedes heater's control assembly 3. Clean orifice 4. Provide adequate ventilation of by-products 5. Replace manifold 6. Increase gas pressure or replace piping 7. Remove with bottle brush
Gas odour	<ol style="list-style-type: none"> 1. Loose pipe connection 2. Defective regulator 3. Defective manual shut-off valve 4. Defective gas control valve 5. Loose flexible hose 	<ol style="list-style-type: none"> 1. Check all connections with soap solution and tighten where necessary 2. Replace regulator 3. Replace manual shut-off valve 4. Replace gas control valve 5. Tighten flexible hose
Burning of gas/air mixture inside burner casting (flashback)	<ol style="list-style-type: none"> 1. Separation of ceramic tiles 2. Ceramic tile(s) cracked 3. Heater mounted at incorrect angle 4. Excessive drafts 	<ol style="list-style-type: none"> 1. Replace burner assembly 2. Replace burner assembly 3. Check angle of heater. See heater nameplate. 4. Shield or relocate heater.
Control assembly is overheating	<ol style="list-style-type: none"> 1. Heater not mounted correctly 	<ol style="list-style-type: none"> 1. Mount wall bracket / control housing against a vertical flat surface, following the instructions outlined in the installation section of this manual. Always use supplied parts to mount heater.
Carbon formation on ceramic tile surface of burner	<ol style="list-style-type: none"> 1. Misaligned orifice 2. Obstruction in venturi tube 3. Low gas pressure 4. Wrong gas supplied to heater 	<ol style="list-style-type: none"> 1. Consult sales agent or factory 2. Clean with bottle brush 3. Provide required pressure 4. Check label for type of gas required

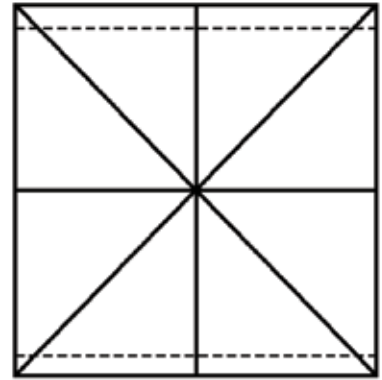
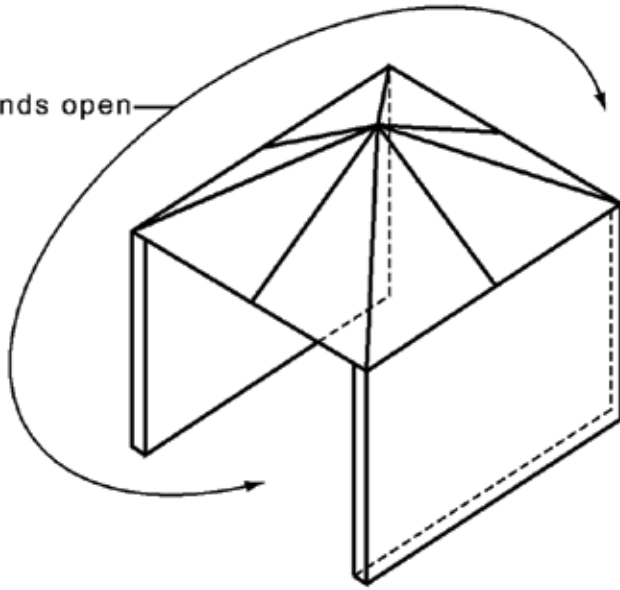


OUTDOOR AREA-EXAMPLE 1

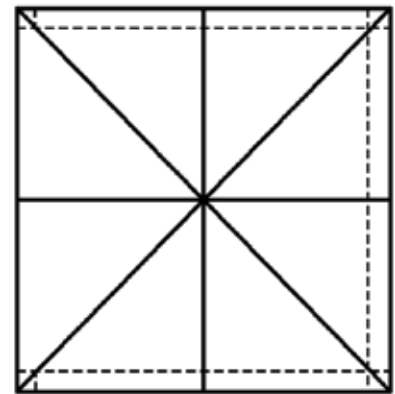
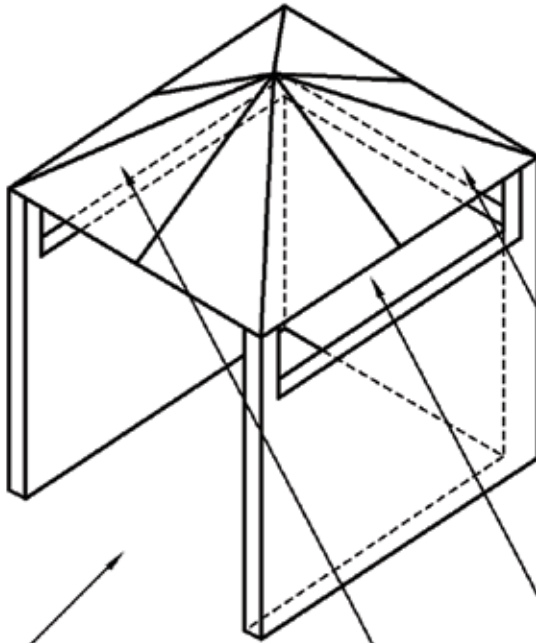


OUTDOOR AREA-EXAMPLE 2

Both ends open



OUTDOOR AREA-EXAMPLE 3



Open side at least 25% of total wall area

30 percent or more in total of the remaining wall area is open and unrestricted

OUTDOOR AREA-EXAMPLE 4

RADIATEUR À GAZ TUNGSTEN SMART-HEAT™ DE BROMIC

MANUEL D'INSTALLATION, D'INSTRUCTIONS D'UTILISATION ET DE SERVICE

RELATIF AUX RADIATEURS À GAZ DES MODÈLES :
TUNGSTEN 300 - BURNER ET TUNGSTEN 500 - BURNER



DANGER

Si vous sentez une odeur de gaz :

1. Coupez l'arrivée du gaz à l'appareil
2. Éteignez toute flamme nue
3. Si l'odeur persiste, éloignez-vous de l'appareil et appelez le fournisseur de gaz ou le service des incendies immédiatement



AVERTISSEMENT : Pour l'extérieur seulement.

VERSION FRANÇAISE, DES PAGES 29 À 55



AVERTISSEMENT

Ne pas entreposer ni utiliser d'essence ou autres liquides ou vapeurs inflammables à proximité de cet appareil ou de tout autre appareil.
Aucune bouteille de GPL qui n'est pas raccordée en vue de son utilisation ne doit être gardée à proximité de cet appareil ou de tout autre appareil.



AVERTISSEMENT : Une installation, un réglage, une modification, une réparation ou un entretien incorrects peuvent entraîner des dommages matériels, des blessures ou la mort. Lire attentivement les instructions d'installation, d'utilisation et d'entretien avant d'installer ou de réparer cet appareil.

Ce manuel contient des informations importantes concernant le montage, le fonctionnement et l'entretien des radiateurs des Séries Tungsten Smart-Heat. Veuillez faire particulièrement attention aux importantes informations de sécurité indiquées au fil de ce manuel d'instructions. Toute information concernant la sécurité sera accompagnée des symboles d'alerte suivants :

 DANGER,  AVERTISSEMENT,  IMPORTANT

- LISEZ SOIGNEUSEMENT CE MANUEL avant d'installer ce produit ou d'intervenir dessus.
- Une installation, une utilisation ou un entretien inapproprié pourrait entraîner des blessures graves voire mortelles, ou des dégâts matériels.
- L'installation doit être effectuée par des personnes agréées, en conformité avec les normes locales, ou en leur absence avec la norme américaine sur le gaz, ANSI Z223.1/NFPA 54, ou la norme canadienne d'installation pour gaz naturel ou propane, CSA B149.1, ou la norme sur l'entreposage et la manutention du propane, B149.2.
- Le radiateur, une fois installé, doit être correctement relié à la terre en conformité avec les normes locales, ou en leur absence avec la norme électrique américaine, ANSI/NFPA 70, ou la norme électrique canadienne, CSA C22.1.
- Cet appareil doit être utilisé SEULEMENT pour l'extérieur.
- Pour des installations à l'extérieur, l'appareil DOIT être protégé de la pluie.

BROMIC[®]
HEATING

Siège social : 1 Suttor Street, Silverwater, Sydney, NSW 2128 Australia

Téléphone : 1300 276 642 (en Australie) ou +61 2 9748 3900 (depuis l'étranger) **Fax:** +61 2 9748 4289

Courriel : info@bromicheating.com **Web :** www.bromicheating.com

Remarque : Bromic Heating Pty Ltd se réserve le droit d'effectuer des changements aux spécifications, aux composants et à l'équipement, sans préavis. Ce manuel d'installation, d'utilisation et d'entretien ne doit pas être reproduit, quelle que soit la façon, sans une autorisation préalable écrite de Bromic Heating Pty Ltd.

IMPORTANTES REMARQUES ET MISES EN GARDE	32
PRÉSENTATION DU PRODUIT	33
DESCRIPTION DU PRODUIT	33
SPÉCIFICATIONS	33
INFORMATIONS GÉNÉRALES	34
CARACTÉRISTIQUES DU PRODUIT	34
BESOINS POUR L'INSTALLATION	34
BESOINS POUR LE GAZ	34
ÉCARTEMENTS À L'INSTALLATION	35
INSTRUCTIONS D'INSTALLATION	36
INSTRUCTION D'INSTALLATION DU RADIATEUR	36
INSTALLATION DE L'ALIMENTATION EN GAZ	40
INSTALLATION DE L'ALIMENTATION ÉLECTRIQUE	40
TEST DE FUITES	40
INSTRUCTION D'INSTALLATION DU DÉFLECTEUR THERMIQUE	41
INSTRUCTIONS D'INSTALLATION DE LA TIGE DE MONTAGE AU PLAFOND	41
INSTRUCTIONS D'UTILISATION	42
MISE EN MARCHÉ DE L'APPAREIL	42
MISE À L'ARRÊT DE L'APPAREIL	42
ENTRETIEN ET SERVICE	42
BESOINS EN SERVICE RÉGULIER	42
SERVICE EXTÉRIEUR	42
DISTANCE OPTIMALE DE MONTAGE	43
CONTRÔLE HONEYWELL	43
VANNE HONEYWELL	44
DONNÉES DE FONCTIONNEMENT – BOÎTIER DE COMMANDE FENWALL	45
VANNE DE GAZ DUNGS	46
VANNE DE GAZ WHITE RODGERS	46
SCHÉMA DE CÂBLAGE	47
PIÈCES DE RECHANGE	50
RAPPORT APRÈS INSTALLATION	52
DÉPANNAGE	53
ANNEXE A	54

AVERTISSEMENT

- CET APPAREIL NE DOIT PAS ÊTRE INSTALLÉ OU UTILISÉ DANS DES ZONES DOMESTIQUES RÉSIDENTIELLES À L'INTÉRIEUR
- LES ENFANTS ET MÊME LES ADULTES DOIVENT ÊTRE AVERTIS DES RISQUES DES SURFACES À TEMPÉRATURE TRÈS ÉLEVÉE, ET DOIVENT RESTER À DISTANCE POUR ÉVITER DES BRÛLURES OU L'INFLAMMATION DE VÊTEMENTS
- LES JEUNES ENFANTS DOIVENT ÊTRE BIEN SURVEILLÉS QUAND ILS SONT DANS LA ZONE DU RADIATEUR
- N'UTILISEZ PAS OU N'ENTREPOSEZ PAS DES MATÉRIAUX INFLAMMABLES PRÈS DE CET APPAREIL
- DES VÊTEMENTS OU DES MATIÈRES INFLAMMABLES NE DOIVENT PAS ÊTRE SUSPENDUS AU RADIATEUR, NI PLACÉS DESSUS OU À PROXIMITÉ
- NE PULVÉRISÉZ PAS DE CONTENU D'AÉROSOL OU DE GAZ INFLAMMABLES À PROXIMITÉ DE CET APPAREIL PENDANT QU'IL EST EN FONCTIONNEMENT
- TOUTE GRILLE OU AUTRE DISPOSITIF DE PROTECTION ÔTÉ POUR UNE INTERVENTION SUR LE RADIATEUR (menée par une personne autorisée) DOIT ÊTRE REPLACÉ AVANT DE REMETTRE LE RADIATEUR EN MARCHÉ
- L'INSTALLATION ET UNE RÉPARATION NE PEUVENT ÊTRE EXÉCUTÉES QUE PAR UNE PERSONNE DE SERVICE QUALIFIÉE. LE RADIATEUR DOIT ÊTRE INSPECTÉ AVANT SON UTILISATION, ET AU MOINS UNE FOIS PAR AN, PAR UNE PERSONNE DE SERVICE QUALIFIÉE

Le non-respect des avertissements et des instructions de ce manuel peut entraîner des blessures corporelles sévères ou mortelles, ou des dégâts matériels.

- Ce manuel d'installation, d'utilisation et d'entretien, ne doit pas quitter le site de l'installation.
- L'installateur doit laisser le manuel au client comme référence ultérieure.
- Cet appareil n'est prévu que pour des zones à l'extérieur (voir les représentations graphiques des zones à l'extérieur dans l'Annexe A).
- N'effectuez pas d'entretien avant que le radiateur n'ait été éteint, son alimentation électrique débranchée, et que sa température soit revenue au niveau de la température ambiante.
- N'exposez pas le radiateur à l'eau et à l'humidité. L'APPAREIL DOIT ÊTRE PROTÉGÉ DE LA PLUIE.
- N'utilisez pas le radiateur si une quelconque de ses parties a été exposée à l'eau, avant que l'appareil n'ait été inspecté ou réparé par une personne de service autorisée.
- L'installateur doit assurer que les exigences de l'autorité locale, les réglementations locales sur les raccordements de gaz, les normes de construction municipales, et toutes les autres réglementations officielles applicables sont respectées.
- Certains matériaux ou articles, quand ils sont gardés sous l'appareil ou près de lui, seront soumis à la radiation thermique et pourraient être sérieusement endommagés. Assurez-vous que les matériaux combustibles (structures surplombantes, parois, sols, meubles, appareils et plantes) seront éloignés d'au moins 91 cm en haut et sur le côté.
- Tout le système de gaz (ensemble de conduites, régulateur, tuyaux et brûleur) doit être inspecté pour déceler des dommages ou des fuites avant l'utilisation, et au moins annuellement par une personne autorisée durant la durée de service du radiateur.
- Tous les tests de fuite doivent se faire avec une solution savonneuse. Il ne faut jamais utiliser une flamme nue pour vérifier des fuites éventuelles.
- N'utilisez pas le radiateur avant que toutes ses connexions n'aient été vérifiées au niveau de fuites éventuelles par une personne autorisée.

- Inspectez l'ensemble de conduites avant l'utilisation de l'appareil.
- Cet ensemble de conduites devra être remplacé avant la mise en fonctionnement de l'appareil s'il présente des signes d'abrasion ou d'usure excessive, ou si un tuyau est endommagé.
- L'ensemble de tuyauterie de remplacement devra être approuvé CSA.
- L'ensemble de tuyauterie ne doit pas être situé dans des zones où un tuyau pourrait subir un dommage accidentel.
- Ce radiateur à chaleur rayonnante n'est PAS conçu pour être installé sur des véhicules de loisirs et/ou sur des bateaux.
- Une réparation doit être effectuée UNIQUEMENT par une personne autorisée.
- Une installation, un réglage, une altération, une intervention ou un entretien qui serait effectué de façon incorrecte peut causer des dégâts matériels, une blessure ou même la mort.
- N'essayez en aucune manière d'altérer cette unité.
- Enlevez la protection du transport avant l'utilisation.
- Ne faites jamais fonctionner le radiateur dans un environnement explosif, comme dans des zones où de l'essence ou d'autres liquides ou vapeurs inflammables sont entreposés.
- Coupez immédiatement l'alimentation en gaz si une odeur de gaz est décelée.
- Ne peignez aucune surface sur le radiateur.
- Ne jetez pas d'objets sur le radiateur.
- Le compartiment de commandes, le brûleur et les passages pour la circulation de l'air doivent être maintenus propres. Un nettoyage fréquent peut être au besoin nécessaire.
- Coupez l'alimentation en gaz en dehors des périodes d'utilisation.
- Vérifiez immédiatement le radiateur si un de ces cas se produit :
 - » Le radiateur n'atteint pas sa température.
 - » Le brûleur émet des craquements durant l'utilisation (un peu de bruit est normal quand le brûleur est allumé ou éteint).
- Les jeunes enfants doivent être surveillés pour s'assurer qu'ils ne jouent pas avec l'appareil.
- Cet appareil n'est pas prévu pour être utilisé par des personnes jeunes ou infirmes, sauf si elles sont encadrées de façon adéquate par une autre personne responsable, afin d'assurer qu'elles utiliseront l'appareil sans danger.
- Contrôlez régulièrement que l'appareil ne présente pas de dommages. S'il y a des dommages supposés sur le cordon, la fiche ou l'appareil, arrêtez immédiatement l'utilisation et contactez le fournisseur ou une personne qualifiée pour la réparation.
- Si le cordon, la fiche ou l'appareil sont endommagés, débranchez l'appareil de la prise, cessez immédiatement son utilisation, et ne laissez qu'une personne autorisée ou compétente réparer l'unité.
- Évitez d'inhaler les fumées émises par l'appareil à sa première utilisation. De la fumée avec une odeur provenant du brûlage des huiles utilisées en fabrication va apparaître. Cette fumée comme cette odeur se dissipent après environ 30 minutes.
- Assurez-vous qu'une étanchéité à l'eau est maintenue au niveau du boîtier de commande électrique en permanence.
- Vérifiez régulièrement s'il y a des dommages aux joints en caoutchouc. Si des dommages aux joints en caoutchouc sont soupçonnés, arrêtez immédiatement l'utilisation, coupez l'alimentation électrique, et contactez le lieu d'achat ou un technicien de service agréé pour une réparation.

PRÉSENTATION DU PRODUIT

DESCRIPTION DU PRODUIT

Les chauffages au gaz à chaleur radiante de Série Tungsten sont conçus pour fournir un chauffage en extérieur efficace sur des lieux commercial et résidentiels, tout en présentant une conception élégante.

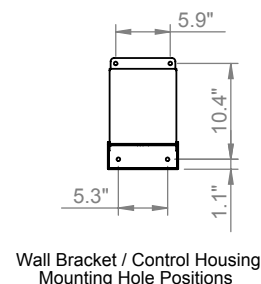
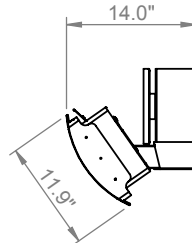
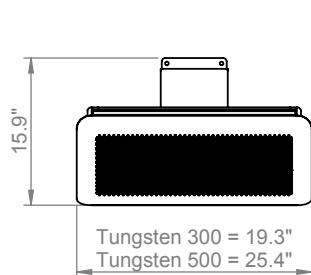
Les radiateurs incorporent des contrôles électroniques à fonctionnalités complètes, leur permettant d'être actionnés à distance depuis un commutateur commodément placé. Ces radiateurs ont été conçus pour supporter les rigueurs des environnements extérieurs.

SPÉCIFICATIONS

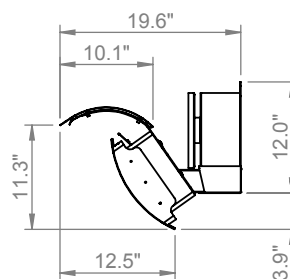
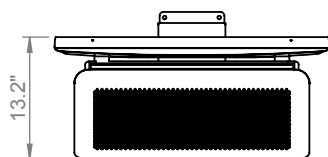
	TUNGSTEN 300 BURNER		TUNGSTEN 500 BURNER	
Type de gaz	Propane (LPG)	GAZ NATUREL	Propane (LPG)	GAZ NATUREL
Fabriqué par	BROMIC HEATING PTY LTD - 1 SUTTOR ST SILVERWATER, NSW, 2128, SYDNEY AUSTRALIA.			
N° d'approbation CSA	ETL & cETL Listing 4009079			
Consommation en gaz	26 000 BTU	26 000 BTU	43 000 BTU	43 000 BTU
Type de gaz	Gaz propane (LPG) uniquement	Gaz naturel	Gaz propane (LPG) uniquement	Gaz naturel
Pression max. de conduite	14" de colonne d'eau	14" de colonne d'eau	14" de colonne d'eau	14" de colonne d'eau
Pression min. de conduite	11" de colonne d'eau	6" de colonne d'eau	11" de colonne d'eau	6" de colonne d'eau
Pression à la rampe (au point de test de vanne)	10" de colonne d'eau	5" de colonne d'eau	10" de colonne d'eau	5" de colonne d'eau
Taille d'orifice	0,85 mm	1,3 mm	0,85 mm	1,3 mm
Poids	14,97 kg	14,97 kg	19,96 kg	19,96 kg
Tension	110 Volts	110 Volts	110 Volts	110 Volts
Courant	< 2 Ampères	< 2 Ampères	< 2 Ampères	< 2 Ampères

DÉTAILS DIMENTIONNELS DU RADIATEUR TUNGSTEN SMART-HEAT

Sans déflecteur thermique



Avec déflecteur thermique



⚠ IMPORTANT

Cet appareil n'est PAS approuvé pour une utilisation à l'intérieur, et doit être installé par des personnes agréées seulement, en conformité avec les normes locales, ou en leur absence selon la norme américaine sur le gaz carburant, ANSI Z223.1/NFPA 54, la norme sur les appareils au gaz naturel ou au propane, CSA B149.1, ou la norme sur la manutention et l'entreposage du propane, B149.2.

Cet appareil doit être protégé de la pluie. Installez-le sous une couverture de protection.

INFORMATIONS GÉNÉRALES

Les radiateurs au gaz à chaleur radiante des Séries Tungsten conviennent pour des espaces à l'extérieur. En plus des instructions d'installation fournies, les installateurs autorisés doivent se soumettre aux **normes locales, ou en leur absence, avec la norme américaine sur le gaz, ANSI Z223.1/NFPA 54, ou la norme canadienne d'installation pour gaz naturel ou propane, CSA B149.1, ou la norme sur l'entreposage et la manutention du propane, B149.2.** Veuillez retenir que ces normes sont sujettes à des changements.

Le radiateur est conçu pour fonctionner sous de vents allant jusqu'à 16 km/h. Le radiateur est sujet à une réduction de performance ou à un arrêt dans des conditions climatiques adverses comme un fort vent ou une très importante saturation.

CARACTÉRISTIQUES DU PRODUIT

Les radiateurs au gaz à chaleur radiante Tungsten Smart-Heat révolutionnent l'industrie du chauffage en extérieur, en amenant des avantages nouveaux encore jamais vus sur des radiateurs électriques ou au gaz traditionnels. Les radiateurs Tungsten Smart-Heat ont établi la référence, avec leur allure de grand style et de l'innovation mondiale.

Les radiateurs Tungsten Smart-Heat excellent dans les secteurs de :

- Esthétique de l'allure
- Innovation
- Performance
- Flexibilité
- Contrôle des coûts

Pour des informations plus détaillées sur le produit, visitez le site www.bromicheating.com

BESOINS POUR L'INSTALLATION

IMPORTANT

Cet appareil ne doit être utilisé que dans des situations en plein-air au-dessus du sol, avec :

- ventilation naturelle
- absence de zones mortes
- dispersion rapide des fuites de gaz et des produits de combustion, par le vent et la convection naturelle

Tout abri dans lequel l'appareil est utilisé doit être conforme à l'un de ceux-ci :

1. Un abri avec des cloisons de tous les côtés, mais avec au moins une ouverture permanente au niveau du sol (se référer à l'Exemple 1 en Annexe A).
2. Un abri partiel qui inclut une couverture sur le dessus et pas plus de deux cloisons (se référer à l'Exemple 2 en Annexe A).
3. Un abri partiel qui inclut une couverture sur le dessus et plus de deux cloisons, avec application de ce qui suit :
 - Au moins 25 % de la zone totale de cloisons est complètement ouvert (se référer à l'Exemple 3 en Annexe A), et
 - Au moins 30% du reste de la zone de cloisons est ouvert et sans restrictions (se référer à l'Exemple 4 en Annexe A)

Remarque : La définition d'un site en extérieur est une situation en plein air au-dessus du sol, avec une ventilation naturelle, sans zones mortes, où des fuites de gaz et des produits de combustion sont rapidement dispersés par le vent et la convection naturelle.

ALIMENTATION EN GAZ

Modèles Tungsten LPG :

- Utilisent uniquement du gaz propane (LPG)
- La pression de gaz approuvée à la rampe est de 10" de hauteur de colonne d'eau
- La pression de gaz MIN. approuvée sur l'appareil est de 11" de hauteur de colonne d'eau
- La pression de gaz MAX. approuvée sur l'appareil est de 14" de hauteur de colonne d'eau

Modèles Tungsten au gaz naturel :

- Utilisent uniquement du gaz naturel
- Ont toujours besoin d'un régulateur pour gaz naturel (fourni dans la vanne de gaz)
- La pression d'arrivée au régulateur de gaz ne doit pas dépasser 14" de hauteur de colonne d'eau
- La pression de gaz MIN. approuvée sur l'appareil est de 6" de hauteur de colonne d'eau
- La pression de gaz approuvée à la rampe est de 5" de hauteur de colonne d'eau

ÉCARTEMENTS À L'INSTALLATION

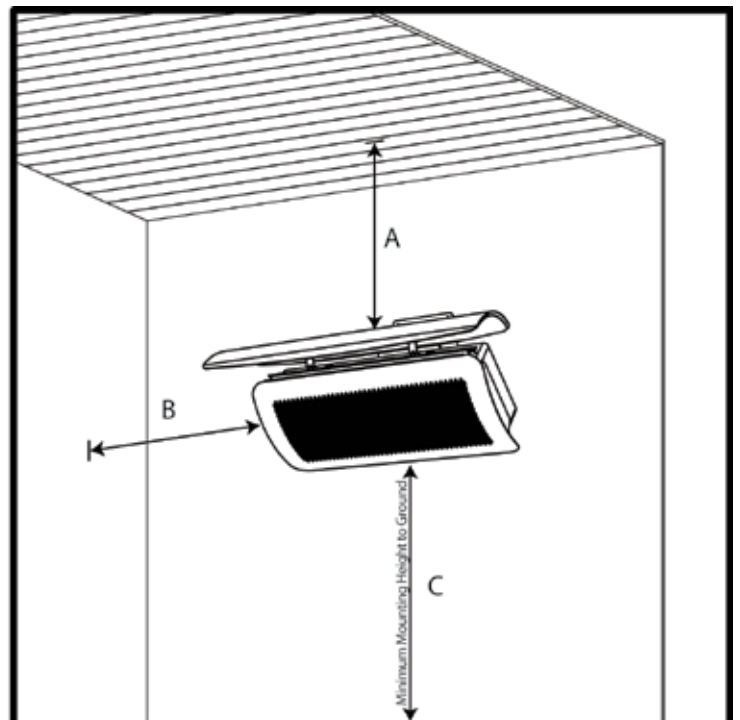
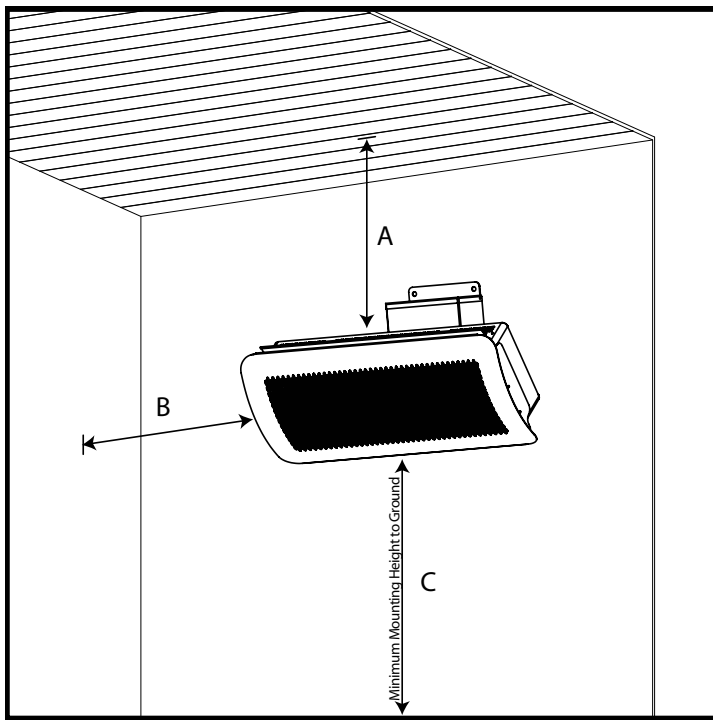
En sélectionnant l'emplacement d'installation pour les radiateurs des Séries Tungsten, les écartements au montage suivants doivent être respectés.

Un soin particulier doit être apporté pour s'assurer que le radiateur n'est pas installé :

- Là où le chauffage/l'allumage pourraient causer des dommages aux bouteilles/conduites de gaz
- Près d'autres matériaux combustibles
- Dans des lieux ouverts soumis à la pluie
- Dans des emplacements résidentiels en intérieur
- Dans des zones où les écartements seraient insuffisants (voir ci-dessous)

Remarque : Pour une installation SANS couverture de protection, les écartements d'installation suivants doivent s'appliquer :

Remarque : Pour une installation des Séries Tungsten Smart-Heat avec écran thermique (Références N° 2620165 ou 2620166), les écartements d'installation suivants doivent s'appliquer :



Hauteur minimale par rapport à des matériaux combustibles

Modèle	A	B	C
Série 300	3' (90 cm)	3' (90 cm)	8' (2,4 m)
Série 500	3' (90 cm)	3' (90 cm)	8' (2,4 m)

Hauteur minimale par rapport à des matériaux combustibles

Modèle	A	B	C
Série 300	14" (35,5 cm)	3' (90 cm)	8' (2,4 m)
Série 500	14" (35,5 cm)	3' (90 cm)	8' (2,4 m)

Remarque : Le radiateur doit être installé d'une façon telle qu'il permette correctement :

Écartement autour des ouvertures d'air pour la chambre de combustion

Écartement par rapport aux matériaux combustibles

Dispositions pour l'accessibilité et écartement par rapport aux admissions d'air de combustion et de ventilation.

INSTRUCTIONS D'INSTALLATION

INSTRUCTION D'INSTALLATION DU RADIATEUR

AVERTISSEMENT

Cet appareil doit être installé en conformité avec les normes locales, ou en leur absence avec la norme américaine sur le gaz combustible, ANSI Z223.1/NFPA 54, ou la norme canadienne d'installation au gaz naturel ou au propane, CSA B149.1, ou la norme sur l'entreposage et la manutention du propane, B149.2, et doit respecter toutes les exigences stipulées dans la section "Besoins pour l'installation" de ce manuel.

AVERTISSEMENT

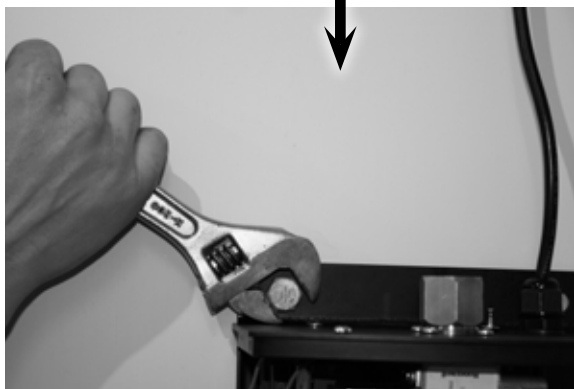
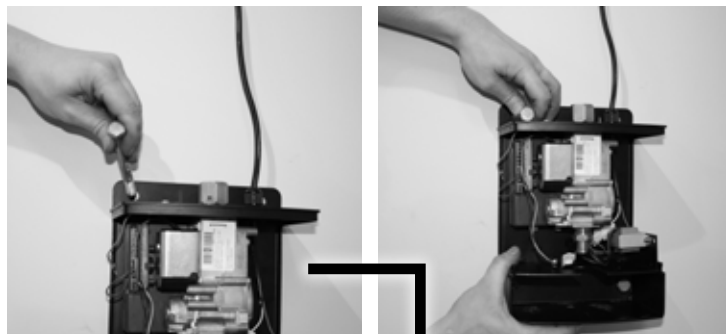
L'installation doit être effectuée par une personne de service qualifiée.

ATTENTION

Veuillez consulter les spécifications sur le poids du radiateur. L'installateur des radiateurs à chaleur radiante des Séries Tungsten Smart-Heat doit se conformer à toutes les réglementations officielles applicables sur l'hygiène et la sécurité du travail.

Étape 1. Montage au mur du support mural/boîtier de commande :

- Sortez le support mural/boîtier de commande de l'emballage
- Placez le support de montage en position et marquez l'emplacement du trou de fixation sur le mur. Percez des trous en utilisant un foret de type et taille appropriés.
- Fixez le support au mur en utilisant des attaches appropriées.



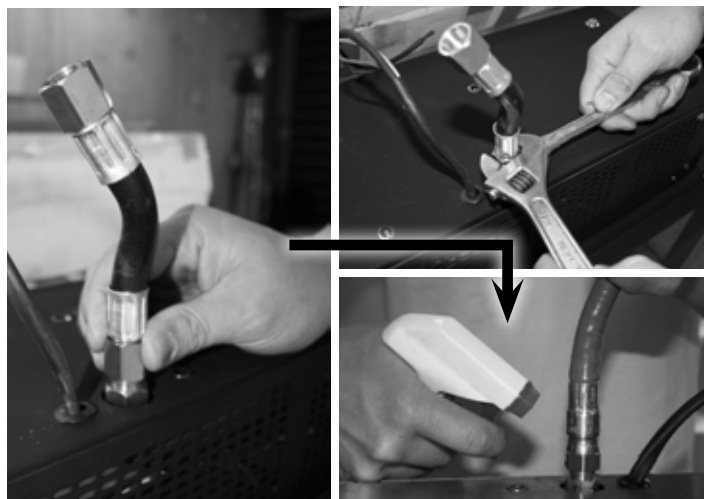
IMPORTANT

Le radiateur doit être fermement et solidement fixé au mur. **Pour la brique et la maçonnerie**, utilisez des boulons affleurant Dynabolt M8 (ou équivalent). **For des structures en bois**, utilisez des vis de fixation convenables ne faisant pas moins de 60 mm de long.

AVERTISSEMENT

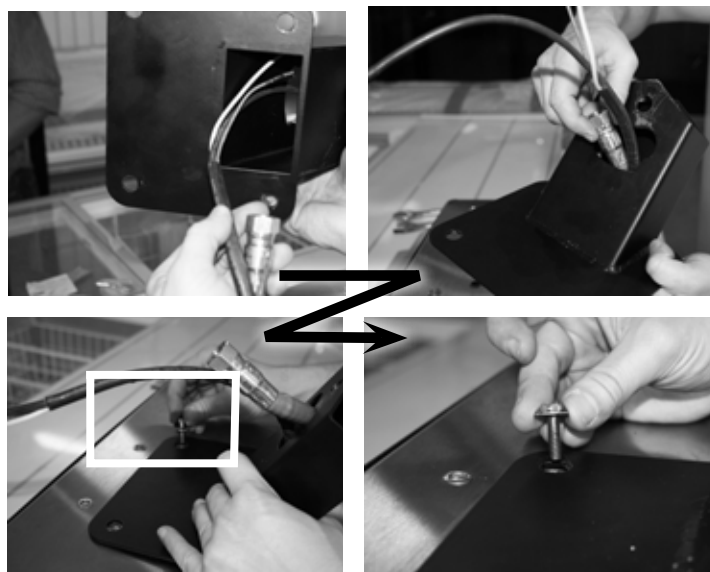
Au moment du montage du support mural/boîtier de commande, assurez-vous que l'ancrage sur la structure est de force suffisante, en qualité et exécution, pour supporter le poids du radiateur plus toute autre charge qui pourrait être appliquée dessus.

Étape 2. Branchez le connecteur de gaz flexible approuvé CSA (tel que fourni) sur le raccord d'arrivée du radiateur, en utilisant 2 clés pour serrer. Testez pour les fuites en appliquant de l'air comprimé (sous 1/2" PSI) sur l'extrémité ouverte du tuyau flexible. Pulvérisez sur les raccords de gaz une solution d'eau savonneuse et cherchez des fuites éventuelles. Une alternative est de vérifier les fuites après le montage en utilisant le trou d'inspection sur le bras du support. (Voir la section sur le test de fuites dans ce manuel).



Étape 3. Fixez le bras de montage sur l'arrière du radiateur.

- Glissez le connecteur de gaz et le harnais de câblage à l'intérieur du centre du bras et faites-les ressortir au travers de découpe formée sur la surface du dessus de bras
- Assurez-vous que le bras est tourné vers le bas avec un angle de 55°
- Positionnez les 4 trous de montage sur la plaque de bras par-dessus les dispositifs correspondants sur le radiateur - Manipulez le tuyau de gaz si nécessaire pour permettre un alignement correct
- Insérez et serrez les 4 boulons M6 fournis pour fixer le bras de montage sur le radiateur.

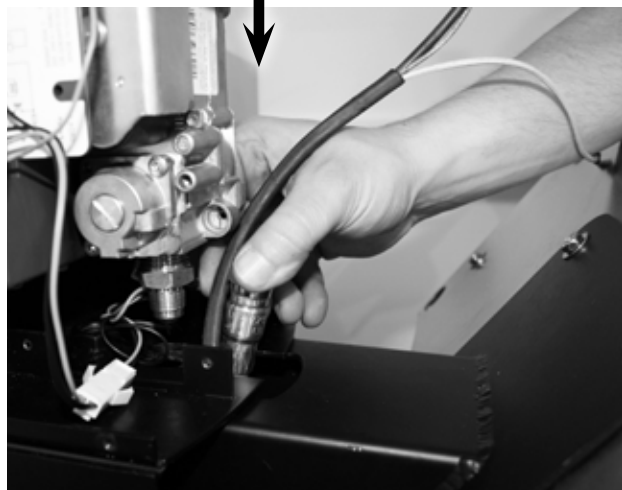


INSTRUCTIONS D'INSTALLATION (SUITE)

Étape 4. Fixez le radiateur sur le support mural/boîtier de commande.

- Enlevez le couvercle frontal du boîtier de commande.
- Fixez le radiateur au support mural/boîtier de commande en insérant le bras de montage dans le canal inférieur du support mural. Assurez-vous que le tuyau de gaz et le harnais de câblage glissent sous la rainure du côté haut du canal inférieur du boîtier de commande, et reposent sans être endommagés par les bords métalliques durant le montage.
- Il peut être nécessaire de manipuler le tuyau de gaz de façon à ce que le bras puisse glisser en place.

CONSEIL : N'installez pas la goupille de montage à ce stade.



Étape 5. Branchez le connecteur flexible approuvé CSA sur le raccord de sortie de la vanne de gaz

- Positionnez le radiateur de façon à ce que le tuyau de gaz et le raccord soient alignés
- **REMARQUE :** Assurez-vous que l'écrou du tuyau et le raccord de vanne soient bien parallèles entre eux et que les filets soient engagés correctement avant de serrer ! Une installation incorrecte peut causer des fuites de gaz et endommager des composants.

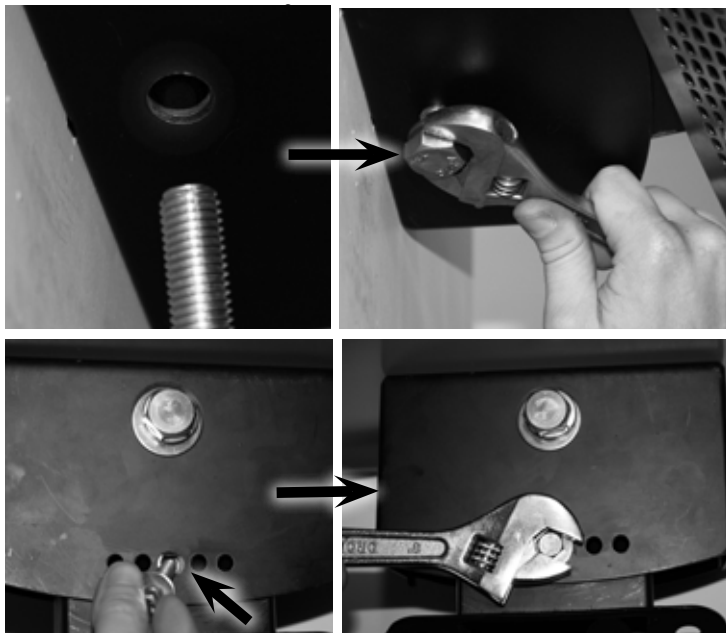
CONSEIL : En glissant le bras de montage à l'intérieur du canal de boîtier de commande, on peut précisément positionner le tuyau de gaz en place sous le raccord de vanne.

- Serrez à la clé à douille en utilisant 2 clés, et effectuez un test de fuites en utilisant de l'eau savonneuse (voir la section sur le test de fuites).



6. Insérez le boulon d'articulation

- Positionnez le bras de façon à ce que les trous arrière du bras de montage et du boîtier de commande soient en alignement
- Insérez boulon et rondelle (fournis) au travers du boîtier de commande et du bras de montage, en utilisant le trou situé sur la surface du dessous du boîtier de commande, vers l'arrière. Serrez en place à la clé à douille.
- Sélectionnez l'angle voulu du radiateur et insérez le boulon M6 et la rondelle (fournis) au travers de la surface de fond du boîtier de commande dans le bras de montage, en utilisant le trou correspondant. (Les angles de radiateur sont 0°, 10° ou 20°). Serrez en place à la clé à douille.



IMPORTANT

Les raccordements électriques doivent être exécutés par des techniciens électriciens agréés et aguerris uniquement!

7. Branchez les 3 fils venant du radiateur avec soin, en suivant les instructions ci-dessous :

S'IL VOUS PLAÎT NOTE: IL EST INUTILE DE SUPPRIMER OU DÉBRANCHEZ LE MODULE DE COMMANDE DE LA SOUPE DE GAZ OU MONTAGE MURAL

Pour un contrôle Honeywell

- En utilisant une paire de pinces à bec effilé, saisissez la borne d'ionisation blanc, comme illustré, en étant attentives aux broches de raccordement du module de commande.

Allumage (plus petite borne)



Ionisation (larger borne)



- Insérez le câble noir d'allumeur directement dans le boîtier de commande en utilisant une cosse rectangulaire de 2,8 mm située sur le côté du contrôleur



- Insérer la terminaison de Terre sur la borne de terre, fixée sur l'enveloppe du boîtier de commande, et marquée du symbole de terre.



- Rebranchez la commande Honeywell sur la vanne de gaz, en positionnant la fiche Molex insérée sur le connecteur de vanne de gaz, et glissez-la en place. Fixez en place avec la vis de retenue.



INSTRUCTIONS D'INSTALLATION (SUITE)

Pour une commande Fenwal

- Passez le harnais de câblage (3 fils) au travers de l'ouverture sous la commande Fenwal de façon à ce que ces fils soient positionnés sur la gauche du contrôleur.



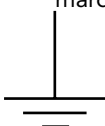
- Connectez le câble noir d'allumage directement au boîtier de commande à la borne marquée :



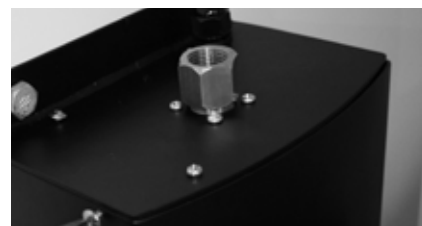
- Connectez le câble blanc d'ionisation au boîtier de commande à la borne marquée : S1



- Insérer la terminaison de Terre sur la borne de terre, fixée sur l'enveloppe du boîtier de commande, et marquée du symbole de terre :



8. Connectez le raccord d'arrivée de gaz sur l'alimentation en gaz en conformité avec les normes pour installations au gaz et la section d'installation du gaz de ce manuel. Effectuez un test de fuite avec de l'eau savonneuse.



9. Fixez le couvercle frontal au boîtier de commande en utilisant les 4 vis M4 fournies.



10. La connexion d'alimentation électrique est à terminer en suivant les instructions de la section d'installation de l'alimentation électrique de ce manuel.

IMPORTANT

Assurez-vous que l'étanchéité à l'eau est maintenue.

IMPORTANT

Une fois que l'installation des alimentations en gaz et en électricité est terminée, toutes les conduites de gaz doivent être testées pour les fuites en utilisant une solution savonneuse. Voyez la section intitulée test des fuites pour plus d'informations. Assurez-vous que la pression du gaz répond aux exigences détaillées plus haut dans l'installation de l'alimentation en gaz.

INSTALLATION DE L'ALIMENTATION EN GAZ

⚠ IMPORTANT

- Tout le travail d'installation d'alimentation doit être effectué par du personnel entraîné et agréé, et être en conformité avec les exigences des normes locales sur les installations au gaz.
- Tous les joints de tuyaux doivent être testés pour les fuites avec une solution savonneuse avant l'utilisation.
- Le tuyau de gaz doit être situé hors du passage où des personnes pourraient trébucher dessus, ou hors de zones où ce tuyau pourrait subir un dommage accidentel.

Vérifiez que le type de gaz fourni est conforme à la plaque signalétique de l'appareil, située à l'arrière du radiateur.

La connexion d'entrée du boîtier de commande de radiateur est en NPT femelle de 1/2".

Le boîtier de commande a été muni en usine d'une vanne d'isolation manuelle en conformité avec les normes locales d'installations au gaz.



Serrez toutes les connexions puis ouvrez l'alimentation en gaz. Vérifiez l'absence de fuites de gaz avec une solution d'eau savonneuse. (Voyez la section intitulée test des fuites).

Il ne faut jamais utiliser une flamme nue pour vérifier des fuites éventuelles.

Pendant que le radiateur est en fonctionnement, vérifiez la pression du gaz au point de test et contrôlez que la pression de gaz à la rampe du radiateur est bien de :

Gaz naturel : 5" de colonne d'eau
Gaz propane : 10" de colonne d'eau

La pression d'alimentation en gaz doit être limitée à 14" de hauteur de colonne d'eau. Si la pression de la conduite de gaz dépasse ce niveau, un régulateur réducteur de pression séparé doit être installé.

L'appareil et sa vanne de coupure individuelle doit être débranchés du système de tuyauterie d'alimentation en gaz pendant tout test de pression du système si les pressions dépassent 1/2 psi.

L'appareil doit être isolé du système de tuyauterie d'alimentation en gaz en fermant sa vanne de coupure individuelle durant tout test de pression du système de tuyauterie à des pressions de test égales ou inférieures à 1/2 psi.

INSTALLATION DE L'ALIMENTATION ÉLECTRIQUE

⚠ AVERTISSEMENT

Ce radiateur est équipé d'une fiche secteur à trois broches (avec terre) pour votre protection contre le risque d'électrocution, qui doit être insérée directement dans une prise secteur à trois broches correctement reliée à la terre. Ne coupez pas ou n'enlevez pas la broche de terre de cette fiche secteur.

Le radiateur des Séries Tungsten Smart-Heat est livré en standard avec un cordon d'alimentation secteur de 91 cm avec en plus sa fiche secteur approuvée à trois broches.

Si une prise secteur appropriée est disponible, le radiateur peut être branché directement dessus et actionné par l'interrupteur M/A fourni au raccord d'alimentation. En alternative, l'installation de l'alimentation électrique peut être personnalisée pour correspondre aux besoins du site par un électricien agréé.

Éloigner les cordons d'alimentation des surfaces chaudes.

Veillez noter :

Les radiateurs Tungsten Smart-Heat ne comportent pas leur propre interrupteur M/A. Leur fonctionnement doit être activé depuis le circuit secteur en amont.

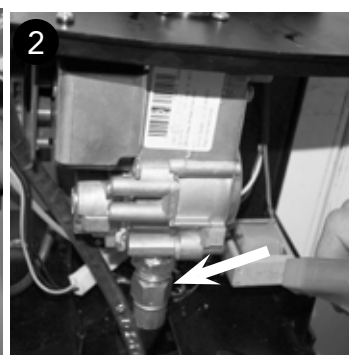
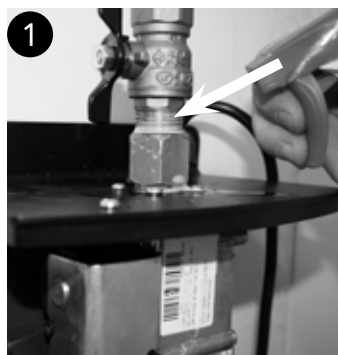
⚠ AVERTISSEMENT

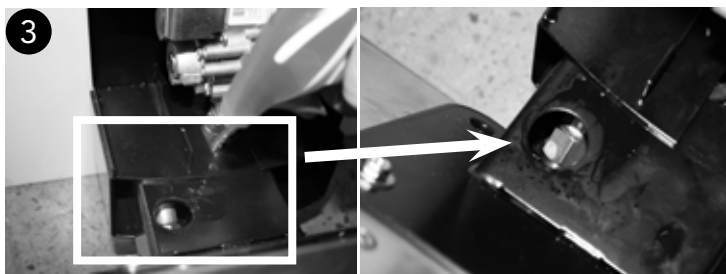
Assurez-vous que le raccord d'alimentation est bien mis à l'arrêt avant de brancher le cordon secteur.

TEST DE FUITES

Les connexions de gaz sur le radiateur sont testées pour une absence de fuites en usine avant l'expédition. Une vérification complète d'étanchéité au gaz sera effectuée sur le site de l'installation, du fait de possibles manutentions néfastes durant le transport, ou une pression excessive appliquée au radiateur. Vérifiez TOUTES les connexions.

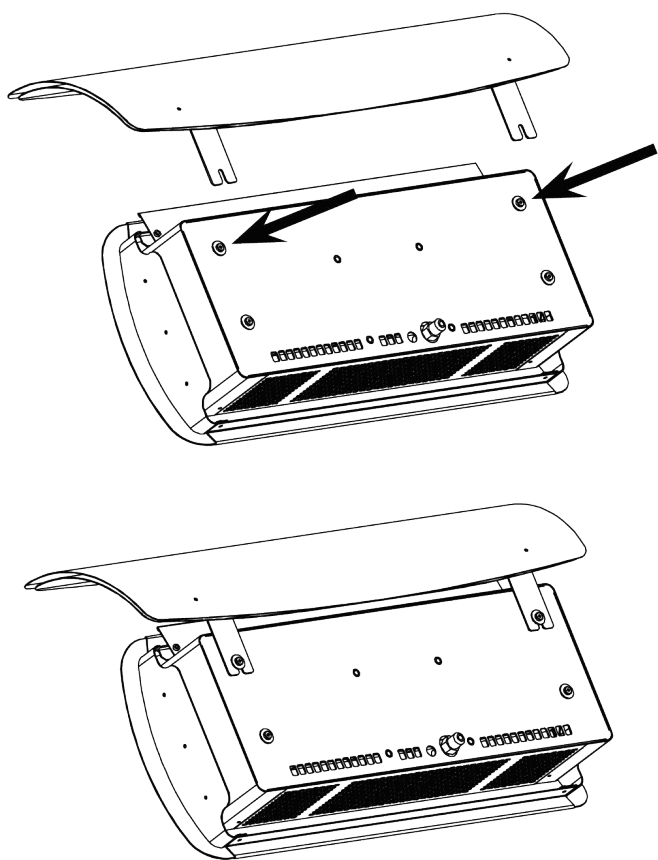
- Le radiateur doit être testé avec l'arrivée du gaz ouverte.
- Assurez-vous que la vanne de sécurité du gaz est en position fermée (OFF).
- Préparez une solution savonneuse avec un volume de détergent liquide pour un volume d'eau. Cette solution savonneuse peut être appliquée avec une bouteille de pulvérisation, un pinceau ou un chiffon. Des bulles de savon apparaîtront en cas de fuite.
- Ouvrez l'alimentation en gaz (ON).
- En cas de fuite constatée, coupez l'alimentation en gaz. Resserrez tous les raccords qui fuient, puis rétablissez l'alimentation en gaz et vérifiez à nouveau. • Ne procédez jamais à un test de fuites en fumant.
- Ne jamais entreprendre un test de fuites tout en fumant.
- Les points qui suivent DOIVENT être vérifiés pour les fuites avant la mise en fonctionnement.





INSTALLATION DU DÉFLECTEUR THERMIQUE

1. Assembler le déflecteur thermique instructions suivantes fournies dans le carton déflecteur thermique.
2. Sécuriser le déflecteur au dispositif de chauffage en desserrant les deux vis et sécuriser les supports en-dessous des rondelles. Resserrer les vis en position initiale en utilisant un tournevis.



INSTALLATION DE LA TIGE DE PLAFOND

1. Montez le support du haut au plafond ou à une poutre de support en utilisant des fixations convenables ne faisant pas moins de 60 mm de longueur.

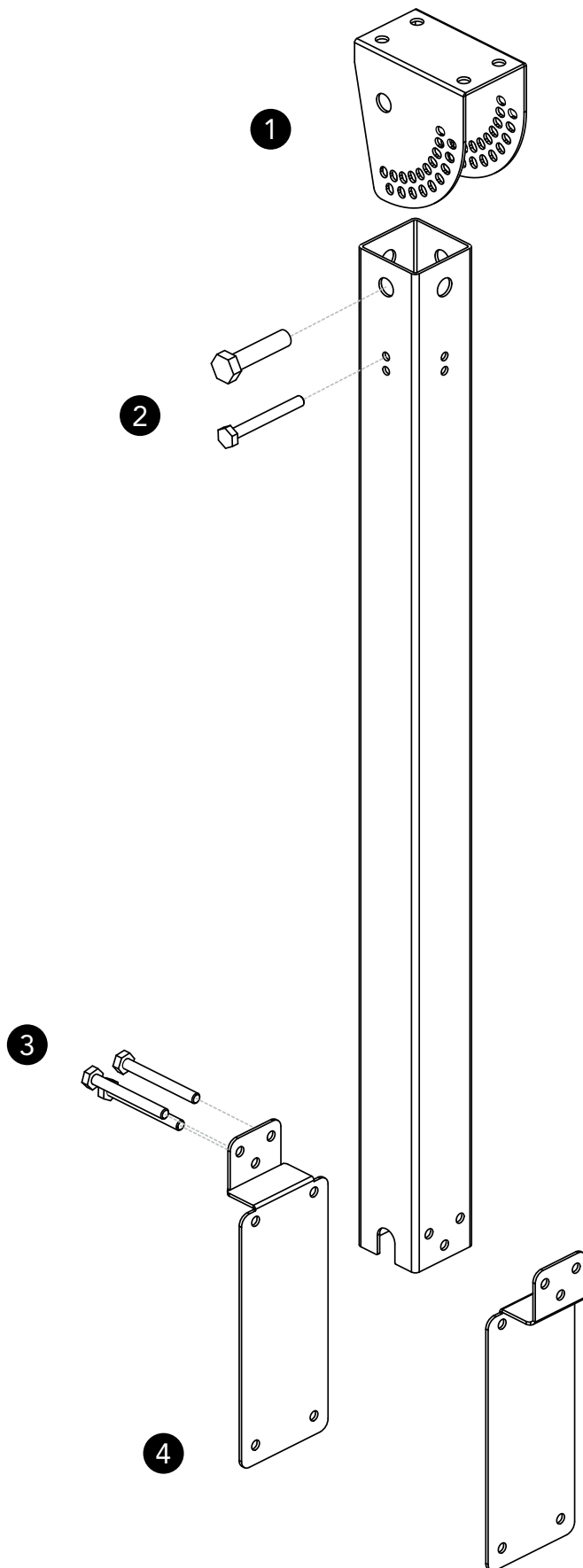
AVERTISSEMENT

Au moment du montage de la tige de plafond, assurez-vous que l'ancrage sur la structure est de force suffisante, en qualité et exécution, pour supporter le poids du radiateur plus toute autre charge qui pourrait être appliquée dessus.

2. Assemblez la tige au support de montage en utilisant les boulons M8 de 100 mm ou M19 de 100 mm, et fixez avec des écrous et rondelles (fournis).
3. Assemblez les deux palettes inférieures à la tige (dos à dos) et insérez 3 boulons M10 de 100 mm, que vous fixez avec des écrous et rondelles (fournis)

4. Fixez le radiateur aux palettes inférieures en utilisant des attaches convenables.

REMARQUE : Tungsten Heating recommande de tirer les conduits de gaz et d'électricité jusqu'au radiateur à l'intérieur de la tige creuse pour réduire leur visibilité et les risques d'endommagement.



INSTRUCTIONS D'UTILISATION

MISE EN MARCHÉ DE L'APPAREIL

1. Assurez-vous que l'installation du gaz et de l'électricité a été réalisée en conformité avec les instructions du fabricant développées dans ce document.
2. Ouvrez l'arrivée du gaz.
3. Assurez-vous que les pressions d'alimentation en gaz sont réglées.
4. Mettez électriquement en marche le radiateur.
5. Si le chauffage au gaz ne s'allume pas, coupez le radiateur.
6. Attendez 5 secondes avant de le remettre en marche. Si le radiateur ne s'est pas allumé après 5 tentatives, consultez la section dépannage de ce manuel, ou contactez Bromic Heating Pty. Ltd pour des informations sur le service.

MISE À L'ARRÊT DE L'APPAREIL

1. Pour une coupure temporaire, mettez simplement le radiateur sur arrêt.

2. Pour une coupure de longue durée, mettez-le sur arrêt mais coupez aussi l'arrivée du gaz.

REMARQUE : L'appareil doit rester totalement arrêté pour une période de 5 minutes avant de pouvoir être rallumé.

⚠ IMPORTANT

Vérifiez immédiatement le radiateur si un de ces cas se produit :

- Le radiateur n'atteint pas sa température.
- Le brûleur émet des craquements durant l'utilisation (un peu de bruit est normal quand le brûleur est allumé ou éteint).

Remarque : Évitez d'inhaler les fumées émises par l'appareil à sa première utilisation. De la fumée avec une odeur provenant du brûlage des huiles utilisées en fabrication va apparaître. Cette fumée comme cette odeur se dissiperont après environ 30 minutes.

Note aux installateurs :

Quand l'installation et le test sont terminés, assurez-vous que le client sait comment faire fonctionner le radiateur. Laissez les instructions d'utilisation chez le client.

ENTRETIEN ET SERVICE

Il est important qu'un entretien régulier soit mené sur le radiateur afin de maintenir l'efficacité de son fonctionnement. Tout l'entretien doit être mené EXCLUSIVEMENT par du personnel de service autorisé.

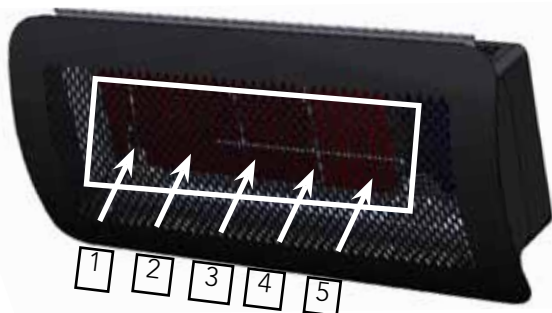
Le compartiment de contrôle, le brûleur et les passages pour circulation d'air du radiateur doivent être gardés propres. Inspectez et nettoyez au moins tous les six mois ou plus fréquemment dans des conditions difficiles.

N'obstruez jamais le flux d'air de combustion ou de ventilation. Gardez toujours la zone de l'appareil dégagée et sans matériaux combustibles, essence ou autres vapeurs ou liquides inflammables.

Ne nettoyez pas le radiateur avec des produits qui sont combustibles ou corrosifs.

BESOINS EN SERVICE RÉGULIER

1. Le tuyau de gaz approuvé CSA, situé dans le bras de montage, doit être contrôlé au moins une fois par an. Ce tuyau doit être remplacé s'il y a une évidence d'usure excessive, ou s'il est endommagé. L'ensemble de tuyauterie de remplacement doit être approuvé CSA avec des bouts évasés en 3/8" SAE. Pour contrôler le tuyau de gaz, enlevez le couvercle du boîtier de commande en ôtant 8 vis, et sortez le couvercle en le glissant. Comme alternative, vous démontez le radiateur en inversant les instructions d'installation décrites dans la section d'installation de ce manuel.
2. **VÉRIFIEZ VISUELLEMENT LES FLAMMES AUX BRÛLEURS.** Pendant le fonctionnement du radiateur, contrôlez que tous les brûleurs sont allumés et radient de la chaleur. Cela peut se faire en observant la luminosité rouge au travers de la face translucide, ou en observant d'en haut par le passage de combustion du produit. Remarque : On peut s'attendre à de légères variations de couleur.



3. **Nettoyez les brûleurs :** Les brûleurs peuvent se nettoyer en dirigeant de l'air comprimé (au maximum à 20 PSI) dans les ports de sortie. Évitez de diriger l'air vers le matériau de joint entre la plaque de céramique et la coupelle de brûleur.
4. **Nettoyez la rampe et les injecteurs :** Débranchez le tuyau de gaz de la sortie de vanne de gaz (le radiateur doit être coupé) et injectez de l'air comprimé (au maximum à 20 PSI) dans les raccords d'entrée.
5. **Enlevez la poussière et les matières étrangères de l'intérieur de l'enceinte du radiateur :** Ouvrez l'arrière de l'enveloppe et dépoussiérez en utilisant de l'air comprimé (au maximum à 20 PSI) et un chiffon humide.
6. Enlevez les débris, les nids d'araignées et d'insectes, du compartiment de commande, des brûleurs et des passages de circulation d'air du radiateur, avec un cure-pipe robuste ou de l'air comprimé, afin de maintenir l'appareil propre et sans risques à l'utilisation. Ne nettoyez jamais les ports ou les autres ouvertures avec des cure-dents ou d'autres objets qui pourraient se briser et bloquer les ports.
7. Dans un environnement où l'air est sale, comme à proximité de la mer, une corrosion peut survenir plus rapidement que la normale. Vérifiez fréquemment si des zones sont corrodées et réparez-les rapidement.

⚠ IMPORTANT

Un nettoyage fréquent peut être au besoin nécessaire. Il est impératif que le compartiment de commande, les brûleurs et les passages de circulation d'air du radiateur, soient gardés propres.

SERVICE EXTÉRIEUR

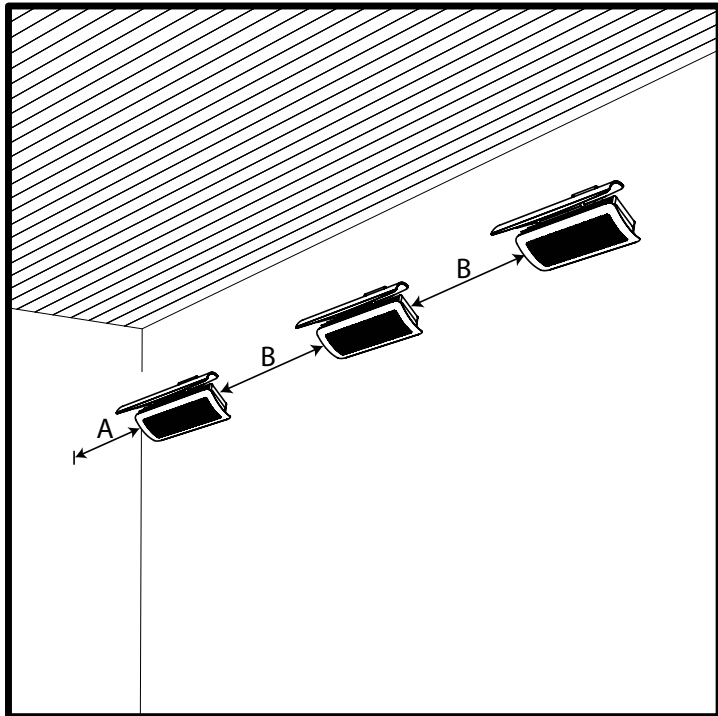
Les composants extérieurs du radiateur Série Tungsten Smart-Heat sont construits en acier inox, et en acier à revêtement de peinture noire pour haute température. Pour toutes les parties extérieures en acier inox (à l'exclusion des garnitures de carénage), un enduit brossé doit être utilisé. Ce n'est pas un revêtement, et en utilisation prolongée il peut se produire une légère décoloration due aux températures élevées du radiateur. C'est un phénomène normal qui n'affecte pas le bon fonctionnement de l'appareil.

Des pièces de rechange peuvent être achetées pour restaurer le radiateur à son aspect d'origine chez Bromic Heating Pty Ltd (Référez-vous à la liste de pièces dans ce manuel).

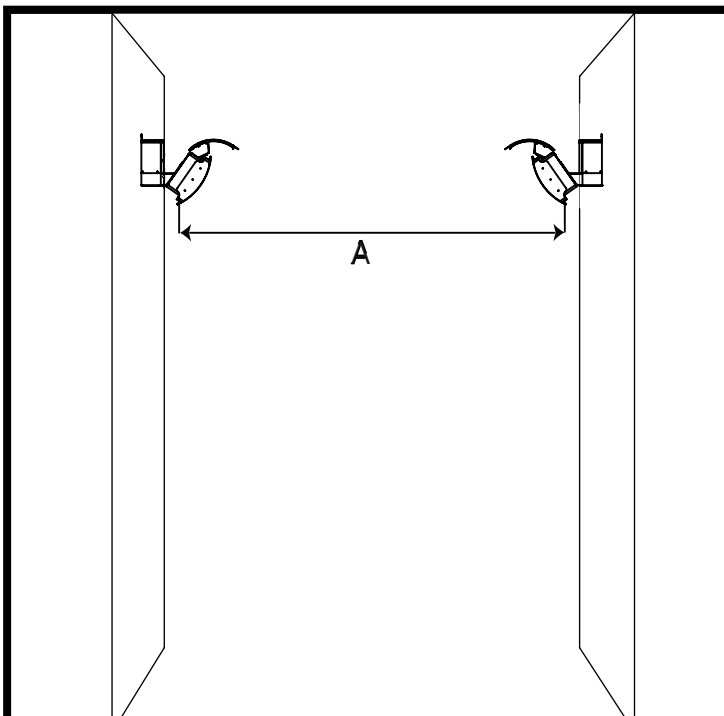
! IMPORTANT

N'appliquez en aucun cas aucun revêtement de surface additionnel au radiateur. L'utilisation de revêtement additionnel autre que ceux appliqués durant la fabrication peut entraîner des réactions dangereuses telles que des fumées toxiques ou un départ d'incendie. Des revêtements additionnels annuleraient la garantie.

DISTANCE OPTIMALE DE MONTAGE



Modèle	A	B
Série 300	3' (90 cm)	8 – 10' (2,4-3 m)
Série 500	3' (90 cm)	8 – 10' (2,4-3 m)



Modèle	A
Série 300	19 – 23' (5,7-6,9 m)
Série 500	26 – 29' (7,8-8,7 m)

DONNÉES DE FONCTIONNEMENT – BOÎTIER DE COMMANDE HONEYWELL

La séquence de fonctionnement qui suit n'est valide que là où les composants ont été installés en conformité avec les instructions de montage et d'installation du constructeur. Veuillez ne pas modifier la configuration de câblage, le circuit de gaz ou toute autre partie de l'ensemble de radiateur.

Application

Le système de contrôle électronique Honeywell pour brûleurs à gaz convient pour des brûleurs à induction atmosphérique en fonctionnement non permanent.

Bien que l'unité Honeywell soit disponible en verrouillage non rémanent, sa configuration sur les radiateurs de Séries Tungsten Smart-Heat se limite au verrouillage rémanent, c'est-à-dire que le redémarrage depuis cette condition n'est possible que par la coupure puis le rétablissement de l'alimentation électrique.

Caractéristiques :

- Conformité avec la norme CSA sur les systèmes automatiques de surveillance et contrôle de flamme de brûleurs au gaz
- Conformité avec la norme européenne EN298 sur les systèmes automatiques de surveillance et contrôle de flamme de brûleurs au gaz
- Conformité avec la norme australienne AGA sur les systèmes automatiques de surveillance et contrôle de flamme de brûleurs au gaz
- Surveillance de flamme basée sur la propriété de redressement de courant de flamme (ionisation)

DONNÉES TECHNIQUES

Tension d'alimentation	110 V-50/60 Hz
Température de fonctionnement	-20 à +60 °C
Humidité ambiante	90 % max. à 40 °C
Degré de protection	IPX4
Minutages :	
Durée d'auto-évaluation	1,5 s
Durée de sécurité (ST)	25 s
Délai de décrochage sur disparition de flamme	1 s
Consommation au démarrage	10 VA
Consommation en régime établi	4 VA
Allumage	
Tension d'allumage	15 kV avec charge de 40 pF
Rythme de répétition d'étincelles	33 Hz
Longueur max. de câble	1 M
Écartement d'électrodes recommandé	0,14" (3,55 mm)
Consommation	2,5 VA
Énergie d'étincelles	3 µAs

DONNÉES DE FONCTIONNEMENT – BOÎTIER DE COMMANDE HONEYWELL (SUITE)

Mode d'emploi

- Les contrôles automatiques sont des dispositifs de sécurité qui ne doivent pas être ouverts. La responsabilité du fabricant est dérogée et sa garantie annulée si le contrôle a été indûment ouvert.
- Une coupure de régulation doit avoir lieu toutes les 24 heures pour permettre à l'unité de vérifier son bon fonctionnement (systèmes pour un fonctionnement non permanent)
- Ne branchez ou débranchez l'unité que seulement après avoir coupé son alimentation électrique
- Évitez d'exposer l'unité à de l'eau qui goutte
- Une ventilation et la température la plus basse assurent une plus longue durée de service du contrôle

Installation électrique

- La phase et le neutre doivent être correctement câblés, une erreur peut causer une situation dangereuse
- Avant de démarrer le système, vérifiez soigneusement les câbles pour déceler une installation éventuellement incorrecte
- La borne de terre du contrôle, le carter métallique du brûleur et la liaison de terre de l'alimentation secteur doivent être reliés ensemble

Fonctionnement

À chaque démarrage, l'unité de contrôle procède à une auto-vérification de ses propres composants. Durant la purge initiale ou la durée d'attente (WT) le circuit interne effectue un test de l'amplificateur du signal de flamme. Une lumière parasite ou un défaut de l'amplificateur résulteraient en une simulation de flamme, ce qui empêcherait le démarrage du contrôle.

À la fin du temps d'attente ou de purge préliminaire, la vanne de gaz est activée et le dispositif d'allumage est lancé. C'est alors que commence la durée de sécurité (ST).

Si une flamme est détectée dans cette durée de sécurité, le dispositif d'allumage est inhibé et la vanne de gaz reste activée.

Mais si le contrôle ne détecte pas de flamme dans cette durée de sécurité (TS), à sa fin l'unité procède à un verrouillage et la vanne de gaz comme le dispositif d'allumage sont coupés.

Si le signal d'une flamme déjà établie est perdu (dans la durée de sécurité ou en fonctionnement par la suite) cela va provoquer la réactivation pendant 1 seconde du dispositif d'allumage.

Si le brûleur ne s'est pas rallumé dans les 25 secondes de réactivation d'allumage, le radiateur entre dans le mode de verrouillage sur panne et devra être restauré manuellement.

DONNÉES DE FONCTIONNEMENT – VANNE HONEYWELL :

La commande de gaz Série VK a été spécialement développée pour des applications sur des appareils domestiques. La vanne de gaz Honeywell est une commande multifonctionnelle, qui incorpore un régulateur de pression à action directe réglable. Elle est conçue pour fonctionner en 220/240 V.

Spécifications standard

- Connexion pour gaz par filetage de tuyau 1/2" Femelle
- Plage de température ambiante de 32 à 140°F (0 à 60 °C)
- Taille compacte : 86,5 x 63,5 x 65,9 mm
- Pression limite de 50 mbar
- Entrée et sortie en 1/2" x 1/2" (BSP- G)
- Borne de terre – cosse rectangulaire de 6 mm
- Vis inviolables
- Bobine de vanne montée sur le dessus pour un remplacement possible sur site

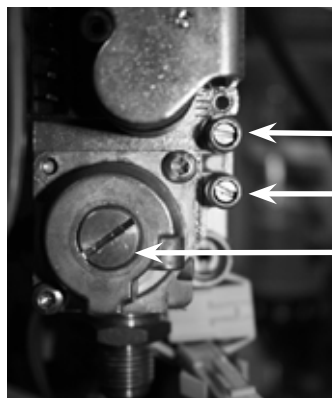
Réglage de la pression du régulateur

- Dévissez le couvercle du régulateur.
- Dévissez le bouchon de la prise pour mesurer la pression de sortie du régulateur en utilisant un manomètre.
- Ajustez cette pression en tournant la vis du régulateur dans un sens ou dans l'autre.
- Réglez cette pression à la valeur correspondant aux spécifications de l'appareil.

IMPORTANT

N'oubliez pas de remettre en place le couvercle du régulateur, et en état l'entrée et a sortie.

DONNÉES TECHNIQUES	
Amont maxi Pression	50 mbar
Groupe d'installation	Groupe 2
Température de fonctionnement	32 à 60°F (0 à 60 °C)
Spécifications d'alimentation	220/240 V CA 50/60 Hz et 0,52 A



Pression d'entrée

Pression de sortie

Régulateur

DONNÉES DE FONCTIONNEMENT – BOÎTIER DE COMMANDE FENWALL

La Série 35-60 de commandes en 24 V CC à base de microprocesseur d'allumage direct à étincelles est conçue pour une utilisation avec tous types d'applications de chauffage. Ce contrôle utilise son microprocesseur pour surveiller continuellement en toute sécurité, analyser et contrôler, le bon fonctionnement du brûleur à gaz. La séquence de fonctionnement qui suit n'est valide que là où les composants ont été installés en conformité avec les instructions de montage et d'installation du constructeur. Veuillez ne pas modifier la configuration de câblage, le circuit de gaz ou toute autre partie de l'ensemble de radiateur.

Application

Le système de contrôle électronique Fenwall pour brûleurs au gaz convient pour des brûleurs à induction atmosphérique en fonctionnement non permanent.

La configuration du Fenwall sur les radiateurs de Séries Tungsten Smart-Heat se limite au verrouillage rémanent, c'est-à-dire que le redémarrage depuis cette condition n'est possible que par la coupure (pendant 5 secondes) puis le rétablissement de l'alimentation électrique.

Caractéristiques :

- Contrôle DSI en 24 V CA à base de microprocesseur
- Surveillance par manostat
- Voyant DEL de diagnostic de système
- Sortie d'alarme (contact normalement fermé)
- Restauration automatique 1 heure après le verrouillage*
- Minuteries de purge préliminaire et entre purges personnalisable**
- Plusieurs tentatives d'allumage
- Détection de flamme à distance ou locale
- Broches de test de la détection de flamme

Mode d'emploi

Les contrôles automatiques sont des dispositifs de sécurité qui ne doivent pas être ouverts. La responsabilité du fabricant est dérogée et sa garantie annulée si le contrôle a été indûment ouvert.

Une coupure de régulation doit avoir lieu toutes les 24 heures pour permettre à l'unité de vérifier son bon fonctionnement (systèmes pour un fonctionnement non permanent)

Ne branchez ou débranchez l'unité que seulement après avoir coupé son alimentation électrique

Évitez d'exposer l'unité à des gouttes d'eau tombant.

La ventilation, et la température la plus faible assurent la plus longue durée de vie pour le contrôle.

Installation électrique

- Les normes d'état et locales applicables concernant la sécurité électrique doivent être respectées.
- La phase et le neutre doivent être correctement câblés, une erreur peut causer une situation dangereuse
- Avant de démarrer le système, vérifiez soigneusement les câbles pour déceler une installation éventuellement incorrecte
- La borne de terre du contrôle, le carter métallique du brûleur et la liaison de terre de l'alimentation secteur doivent être reliés ensemble

Fonctionnement

Quand une demande de chauffe est reçue en provenance du thermostat fournissant du 24 volts sur TH/W, le contrôle se restaure, effectue une routine de vérification autonome, fait clignoter le voyant DEL de diagnostic, et la temporisation de purge préliminaire commence. Suite à cette période de purge préliminaire, la vanne de gaz est activée et les étincelles commencent pour la période de tentative d'allumage.

Quand une flamme est détectée pendant la période de tentatives d'allumage, les étincelles cessent immédiatement d'être produites et la vanne de gaz reste activée. Le thermostat et le brûleur principal sont constamment surveillés pour assurer que le système continue de fonctionner correctement. Quand le thermostat est satisfait et que la demande de chauffe cesse, la vanne de gaz est désactivée immédiatement.

Au cas où le brûleur n'arriverait pas à s'allumer, ou s'il n'y avait pas de détection de flamme durant la période de tentatives d'allumage, le contrôle se verrouillerait. La vanne de gaz est immédiatement coupée. Les modèles à allumages multiples vont lancer deux tentatives additionnelles d'allumage avant de passer en verrouillage. Le relais de vanne sera désactivé immédiatement.

La sortie du verrouillage demande une restauration manuelle en enlevant le 24 volts de 24 VAC(R) pendant une période de 5 secondes. S'il y a encore une demande de chauffe après une heure, le contrôle va automatiquement se restaurer et essayer de nouveau d'allumer le brûleur.

Si le signal de flamme déjà établie est perdu la commande va répondre en 0,8 seconde. Le générateur HT d'étincelles va être activé pour une période de tentatives d'allumage afin d'essayer de rallumer le brûleur. Si le brûleur ne s'allume pas, le contrôle désactive alors la vanne de gaz. Les modèles à allumages multiples vont lancer deux tentatives de plus de rallumage du brûleur. Si le brûleur ne se rallume pas, le contrôle va se verrouiller comme noté plus haut. Si la flamme est rétablie, le fonctionnement normal se poursuit.

DONNÉES TECHNIQUES	
Tension d'alimentation	18 à 30 V CA 50-60Hz
Température de fonctionnement	-40 à +176°F
Humidité ambiante	95 % max. à 104°F
Degré de protection	IP00
Minutages :	
Durée d'auto-évaluation	1,5 s
Durée de sécurité (ST)	10 s
Délai de décrochage sur disparition de flamme	0,8 s
Consommation au démarrage	300 mA Max.
Consommation en régime établi	300 mA Max.
Allumage	
Tension d'allumage	15 kV avec charge de 40 pF
Rythme de répétition d'étincelles	50/60 étincelles / sec.
Longueur max. de câble	1 M
Écartement d'électrodes recommandé	3,5 mm

DONNÉES DE FONCTIONNEMENT – VANNE DE GAZ DUNGS

La vanne Dungs GB est un contrôle de gaz multifonctionnel avec un régulateur combiné et des soupapes d'arrêt de sécurité.

Le régulateur de pression inclut un servorégulateur pour maîtriser les fluctuations de pression à l'alimentation principale. Cela assure un volume de flux de gaz précis et une pression d'injection constante.

Pour couper le régulateur de pression, tournez le dispositif de réglage 25 fois en sens horaire jusqu'à ce qu'un petit déclic soit entendu.

Spécifications standard

DONNÉES TECHNIQUES	
Connexion du gaz	1/2" RP
Pression max. d'arrivée	65 mbar
Plage de pression	2,5 à 38 mbar
Flux nominal	3,3 m ³ /h (Air)
Température ambiante	5 à 158°F (-15 à 70 °C) 32 à 158 °F pour du propane (0 à 70 °C)
Soupapes d'arrêt automatique	Classe B selon EN 126
Groupe	2
Régulateur de pression	Classe C

DONNÉES TECHNIQUES	
Degré de protection	IP40
Durée d'ouverture	Ouverture rapide <1sec Ouverture lente <10 sec.
Durée de fermeture	<1 sec
Fréquence et tension	~(CA) 50 - 60 Hz 24 V (+10 % – 15 %)
Charge de bobine	2 x 5,5 VA
Connexion électrique	Système Molex de connexion de bobine ou option : Boîtier de raccordement avec câble intégré
Position d'installation	Solénoïde dans n'importe quelle position entre les axes vertical et horizontal.

DONNÉES DE FONCTIONNEMENT – VANNE DE GAZ WHITE RODGERS

La vanne de gaz White Rodgers est une commande multifonctionnelle, qui incorpore un régulateur de pression à action directe réglable. Elle fonctionne en 24 V.

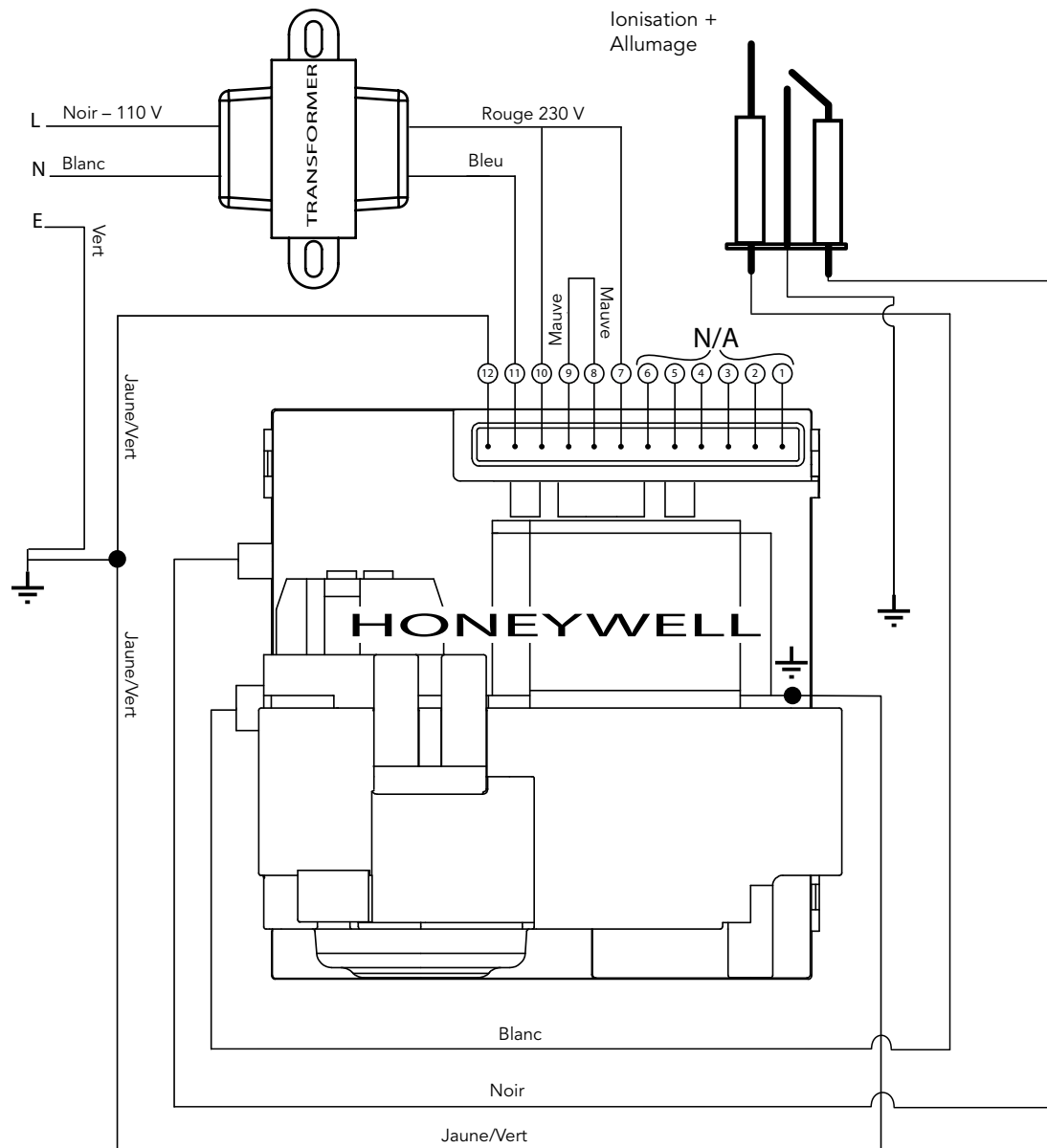
Spécifications standard

- Tamis d'entrée – filtre jusqu'à 180 microns
- Plage de température ambiante de 32 à 140° F (0 à 60 ° C)
- Taille compacte : 86,5 x 63,5 x 65,9 mm
- Pression limite de 50 mbar
- Classe 'B' Groupe 2, électrovannes à action directe avec force de scellement élevée
- Entrée et sortie en 3/8" x 3/8" (BSP PI.) Entrée et sortie
- Durée d'ouverture < 0,25 secondes
- Durée de fermeture < 0,25 secondes
- Borne de terre – cosse rectangulaire de 6 mm
- Vis inviolables
- Bobine de vanne montée sur le dessus pour un remplacement possible sans entrer dans le circuit de gaz.

DONNÉES TECHNIQUES	
Pression max. en régime	50 mbar
Groupe d'installation	Groupe 2
Température de fonctionnement	32° F à -140° F (0 à 60 °C)
Plage de réglage du régulateur	9,2 à 13,7 mbar
Spécifications d'alimentation	24 V CA, 50/60 Hz

SCHÉMA ÉLECTRIQUE

REPORTEZ-VOUS AU MANUEL D'INSTRUCTIONS POUR LA FAÇON DE CONNECTER LES COMPOSANTS ÉLECTRIQUES.

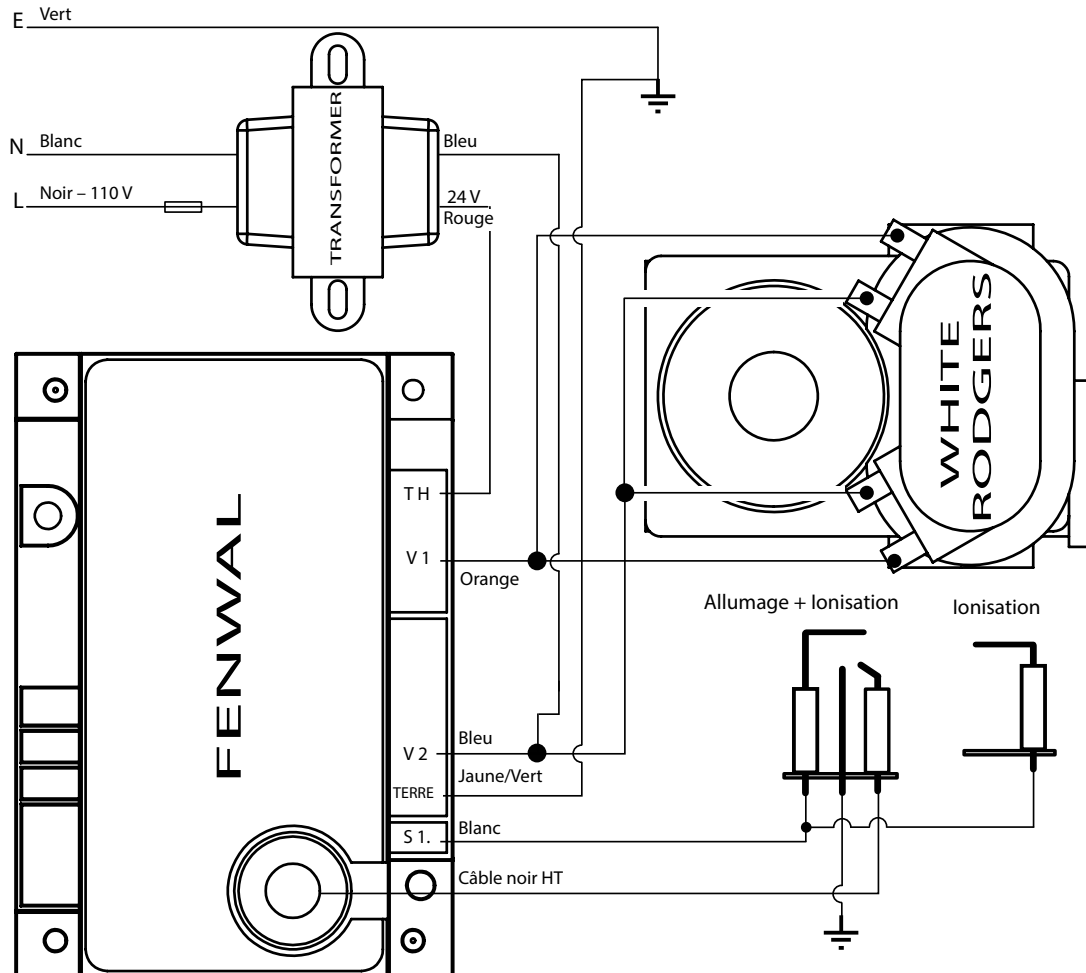


Remarque :

Si une quelconque partie des fils d'origine livrés avec le radiateur devait être remplacée, il faut le faire avec du fil de type 18AWG supportant 90 °C approuvé UL, ou équivalent. Si le transformateur doit être remplacé, un modèle approuvé UL ou de type similaire doit être utilisé.

SCHÉMA ÉLECTRIQUE

REPORTEZ-VOUS AU MANUEL D'INSTRUCTIONS POUR LA FAÇON DE CONNECTER LES COMPOSANTS ÉLECTRIQUES.

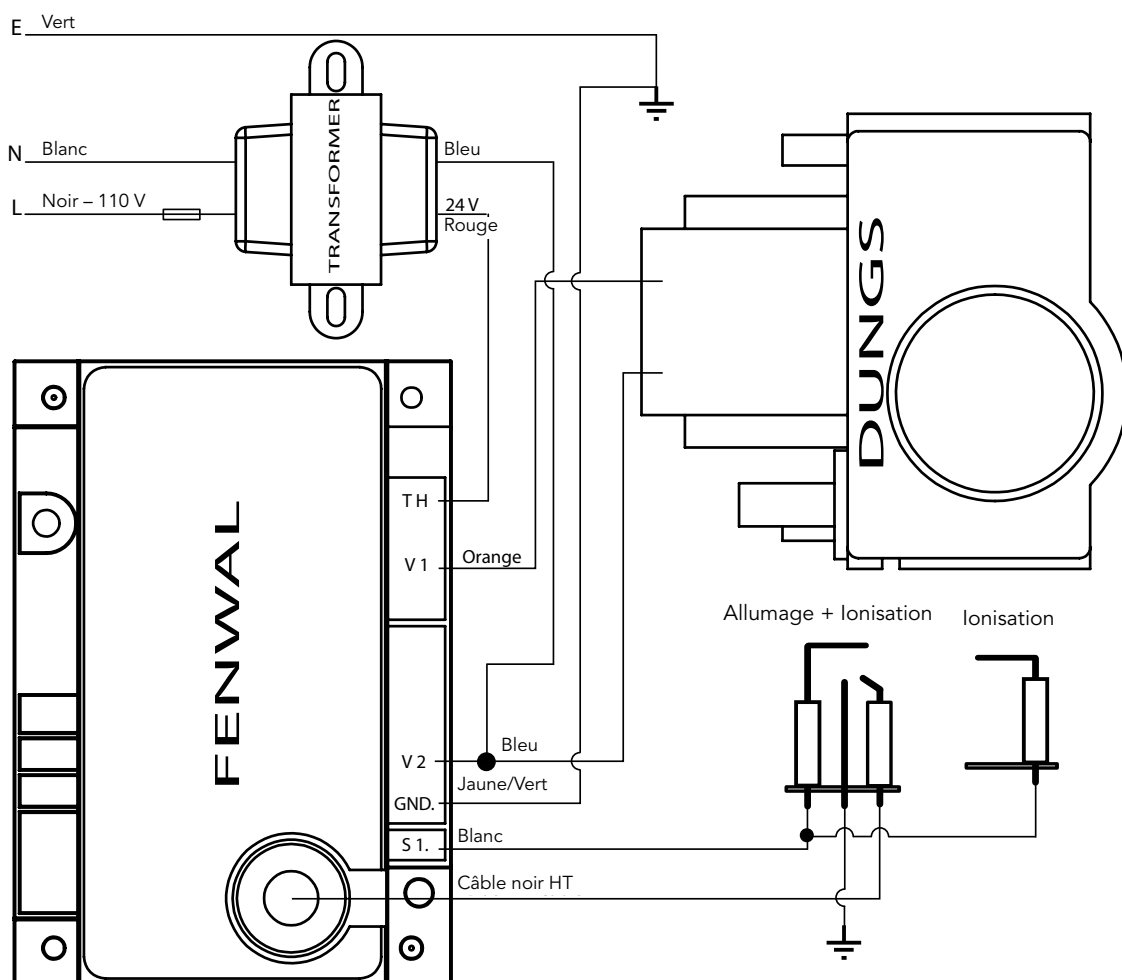


Remarque :

Si une quelconque partie des fils d'origine livrés avec le radiateur devait être remplacée, il faut le faire avec du fil de type 18AWG supportant 90 °C approuvé UL, ou équivalent. Si le transformateur doit être remplacé, un modèle approuvé UL ou de type similaire doit être utilisé.

SCHÉMA ÉLECTRIQUE

REPORTEZ-VOUS AU MANUEL D'INSTRUCTIONS POUR LA FAÇON DE CONNECTER LES COMPOSANTS ÉLECTRIQUES.

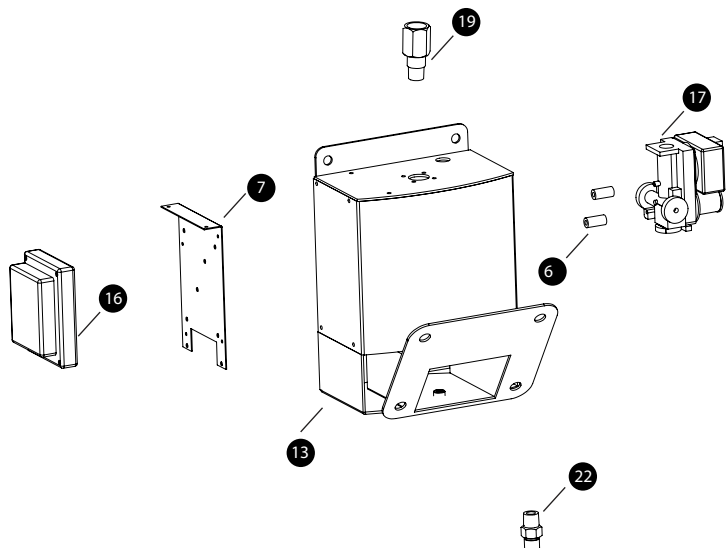


Remarque :

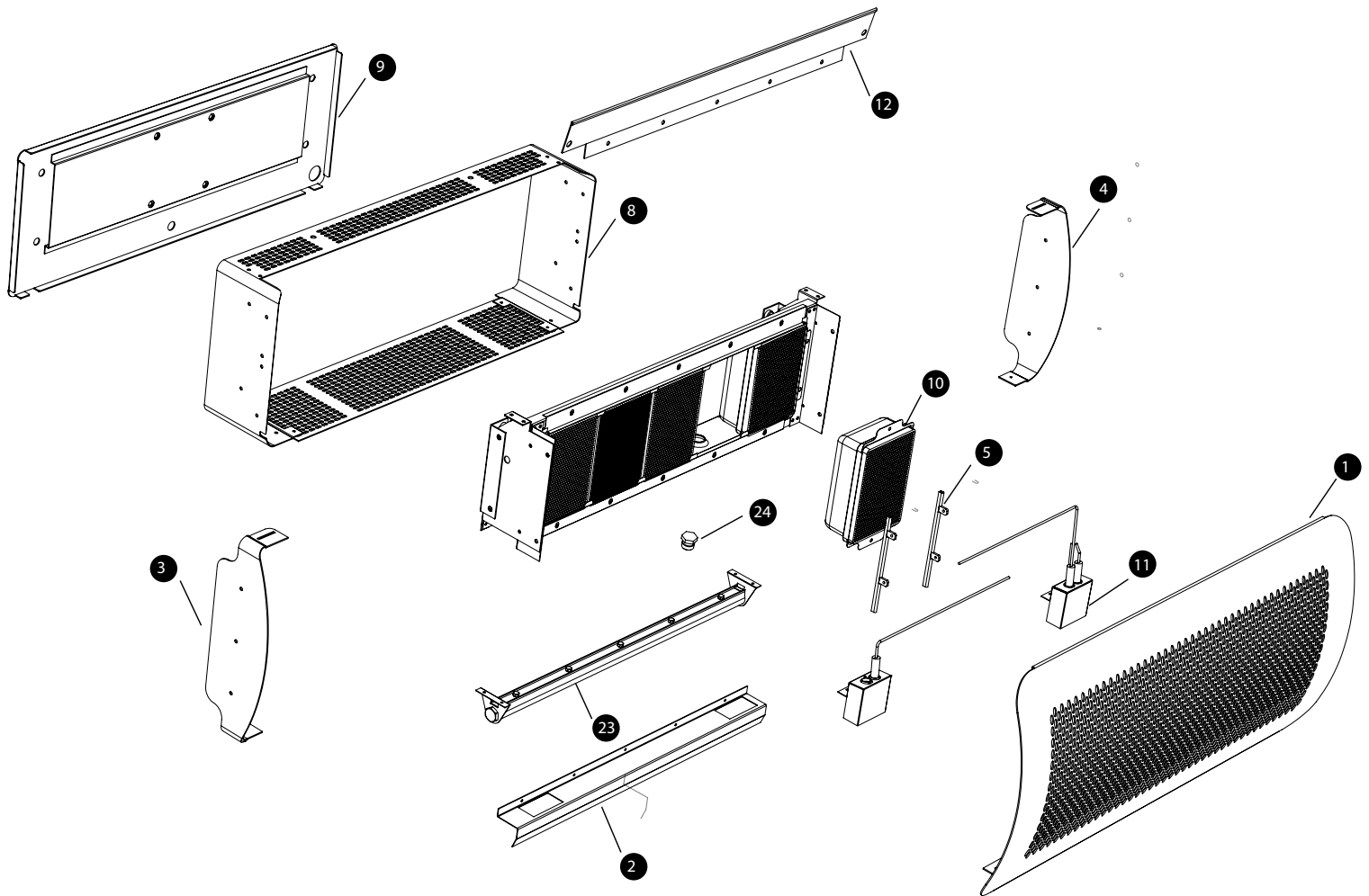
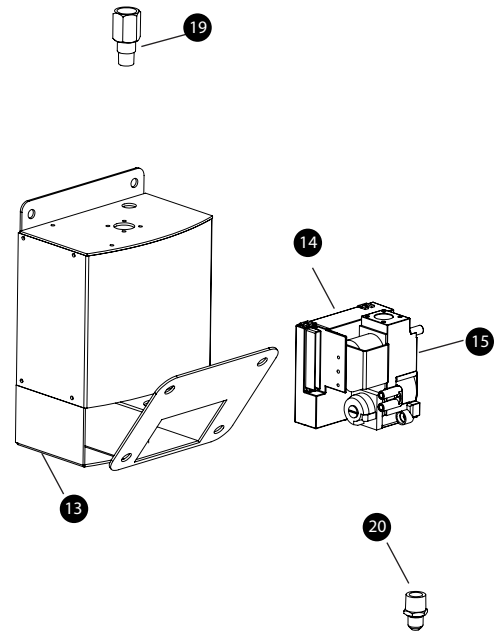
Si une quelconque partie des fils d'origine livrés avec le radiateur devait être remplacée, il faudrait le faire avec du fil de type 18AWG supportant 90 °C approuvé UL, ou équivalent. Si le transformateur doit être remplacé, un modèle approuvé UL ou de type similaire doit être utilisé.

PIÈCES DE RECHANGE

White Rodger



Honeywell



DESCRIPTION DES PIÈCES DE RECHANGE

N°	Description	N° de pièce Série 300	N° de pièce Série 500
1	Couvercle frontal	BH8080039	BH8080040
2	Protecteur de flamme	BH8080041-1	BH8080042-1
3	Montage côté droit	BH8080043	BH8080043
4	Montage côté gauche	BH8080044	BH8080044
5	Ensemble de support d'ionisation	BH8080045	BH8080045
6	Séparateur de White Rodger		
7	Montage de contrôle		
8	Enveloppe arrière	BH8080046	BH8080047
9	Ensemble de couvercle arrière	BH8080048	BH8080049
10	Brûleur	BH8080030	BH8080030
11	Harnais de câblage + ensemble d'allumeur - Honeywell	BH8080012-1	BH8080013-1
12	Membrane intérieure	BH8080031	BH8080032
13	Ensemble de support mural	BH8080001-1	BH8080001-1
14	Contrôle Honeywell	BH8080015	BH8080015
15	Vanne de gaz Honeywell	BH8080014	BH8080014
16	Contrôle Fenwal		
17	Vanne de Gaz 24 V White Rodger		
18	Blanc intentionnellement laissé		
19	Raccord d'entrée de gaz (vanne de gaz Honeywell en 1/2")	BH8080035	BH8080035
20	Raccord de sortie de gaz (vanne de gaz Honeywell en 1/2")	BH8080036	BH8080036
21	Blanc intentionnellement laissé		
22	Raccord de sortie de gaz (vanne de gaz White Rodgers)		
23	Ensemble de rampe - gaz naturel	BH8080037	BH8080038
23	Ensemble de rampe - gaz LP	BH8080093	BH8080090
24	Injecteur (gaz LP)	BH8080016	BH8080016
24	Injecteur (gaz naturel)	BH8080017	BH8080017
25	Jeu de vis de rechange pour support mural	BH8080051-1	BH8080051-1
26	Blanc intentionnellement laissé		
27	Jeu de vis de rechange pour radiateur	BH8080052	BH8080052
28	Transformateur – 110 V-230 V (Honeywell)	BH8080050	BH8080050

Note: Pour plus d'informations sur l'obtention de pièces de rechange, contactez le lieu d'achat ou directement

BROMIC HEATING

Siège social : 1 Suttor Street, Silverwater, Sydney, NSW 2128 Australia

Téléphone : 1300 276 642 (en Australie) ou +61 2 9748 3900 (depuis l'étranger) Fax : +61 2 9748 4289

Email: info@bromicheating.com Web: www.bromicheating.com

RAPPORT APRÈS INSTALLATION

POUR RADIATEURS À GAZ TUNGSTEN SMART-HEAT À CHALEUR RADIANTE

APRÈS L'INSTALLATION DU RADIATEUR, VEUILLEZ PHOTOCOPIER, REMPLIR ET ENVOYER CE RAPPORT À :

FAX : (02) 9748 4289 ou ENVOI POSTAL : Bromic Heating Pty Ltd, Suite 1305, 13223 Black Mountain Road San Diego, California 92129 USA, ou bien SCANNEZ et ENVOYEZ par courriel à info@bromicheating.com

Nom commercial du client :

Date : jj / mm / aaaa

Adresse du site :

Ville :

État ou Province :

Code postal :

Détails du contact chez le client :

Nom :

Position :

Tél. : Fax : ()

Mobile :

Détails du contact chez l'installateur :

Nom :

Position :

Tél. : Fax : ()

Mobile :

Signature de la personne autorisée :

Nom :

Société :

Position :

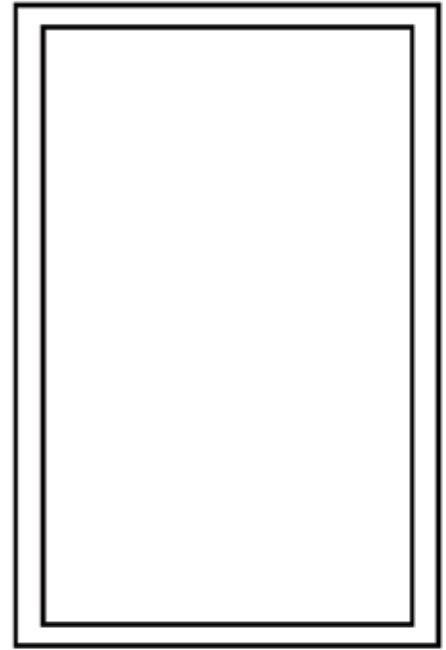
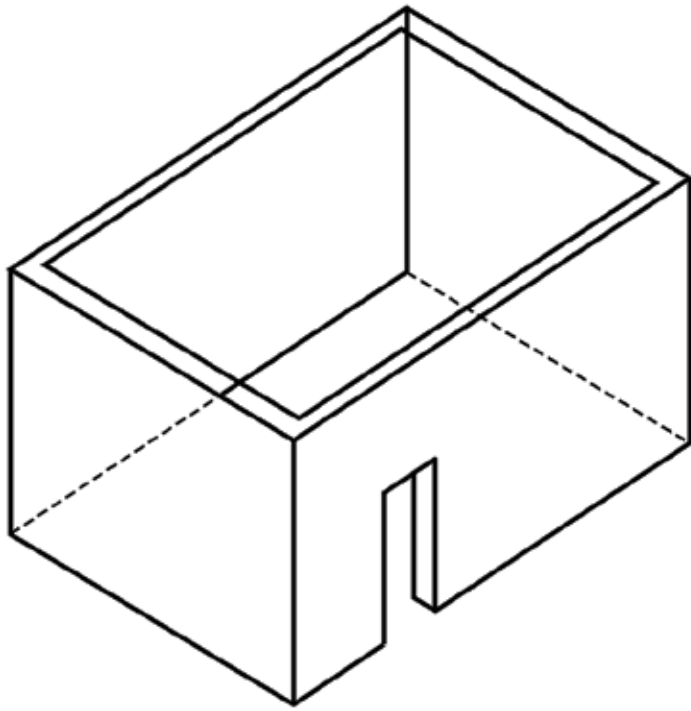
Date : jj / mm / aaaa

Veillez fournir les informations appropriées ou entourer la réponse Oui ou Non ci-après :

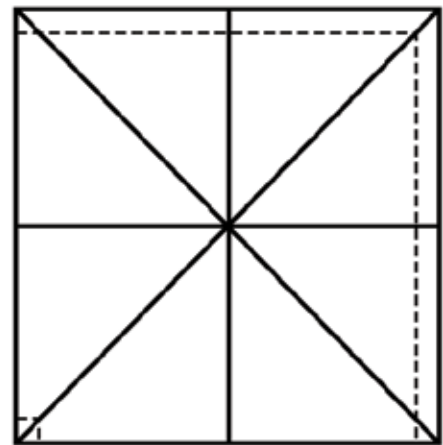
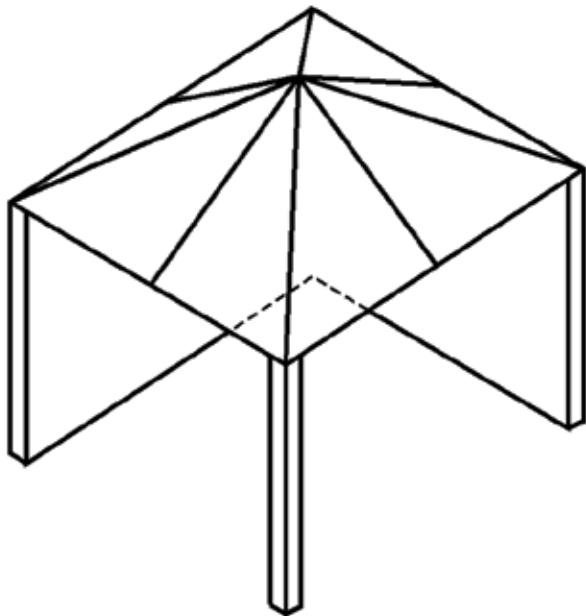
	3 panneaux :	5 panneaux :
Combien de radiateurs Tungsten Smart-Heat sont installés sur ce site ?	_____	_____
Quel type de gaz est utilisé ?	Propane	Gaz naturel
Y a-t-il une exposition à de l'air salin ou à une autre atmosphère corrosive ou chimique pour le/les radiateur(s) ?	Oui	Non
Est-ce que l'installation du/des radiateur(s) présente un risque pour le site ?	Oui	Non
Est-ce que les écartements autour du radiateur répondent aux exigences minimales définies dans la section "Besoins pour l'installation" du manuel d'installation, d'utilisation et de service ?	Oui	Non
La conduite de gaz est-elle bien calibrée pour le nombre de radiateurs installés ?	Oui	Non
Les conduites de gaz ont-elles été purgées de tout l'air résiduel ?	Oui	Non
Les conduites de gaz ont-elles été testées pour des fuites éventuelles avec une solution d'eau savonneuse ?	Oui	Non
Chaque radiateur a-t-il été testé et activé sans dysfonctionnement ?	Oui	Non
Quelle est la pression d'arrivée du gaz ?	_____ kPa	
Quelle est la pression en sortie de la vanne de gaz (au point de test) ?	_____ kPa	

DÉPANNAGE

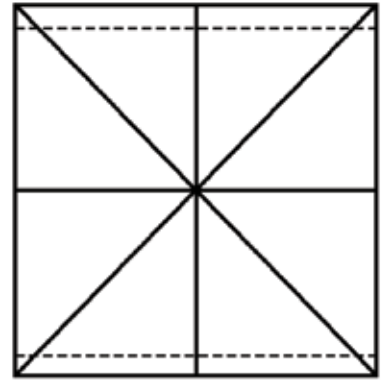
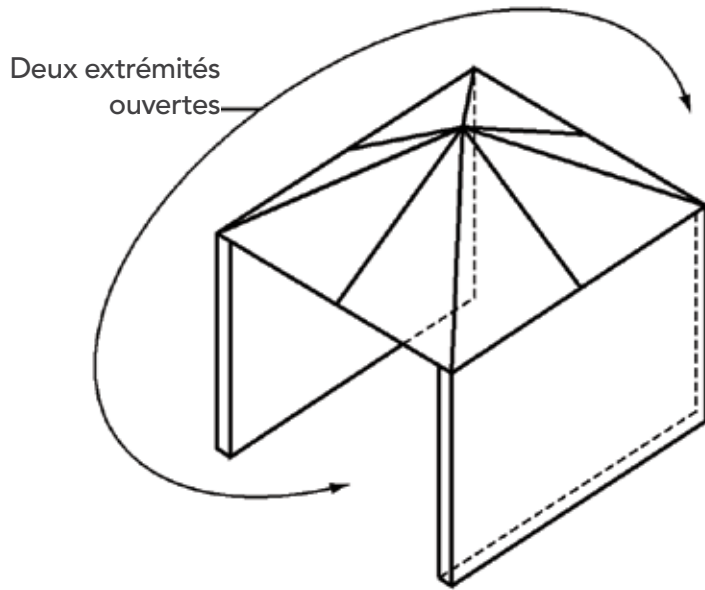
SYMPTÔME	CAUSE POSSIBLE	ACTION CORRECTIVE
Le radiateur ne se met pas en marche	<ol style="list-style-type: none"> 1. Pas de secteur 2. Pas de gaz 	<ol style="list-style-type: none"> 1. Faites vérifier l'alimentation secteur par un électricien agréé 2. Faites vérifier l'alimentation en gaz par un monteur agréé
Le radiateur se met en marche, puis fait des cycles de marche et d'arrêt	<ol style="list-style-type: none"> 1. Flamme insuffisante sur la tige d'ionisation 2. Contexte avec tirage 3. Connexion de terre insuffisante entre radiateur et boîtier de contrôle 	<ol style="list-style-type: none"> 1. <ul style="list-style-type: none"> • Contrôlez et réglez la pression de gaz • Contrôlez et dégagez une obstruction au brûleur (venturi et injecteurs) 2. Arrêtez l'utilisation par vents forts 3. Remplacez le harnais de câblage et nettoyez les connexions pour assurer une bonne liaison de terre
Pas de gaz	<ol style="list-style-type: none"> 1. Air dans la conduite de gaz 2. Vanne de coupure manuelle fermée 3. Collage du régulateur 4. Inversion du régulateur 	<ol style="list-style-type: none"> 1. Purgez la conduite 2. Ouvrez la vanne 3. Remplacez le régulateur 4. Démontez et remontez correctement le régulateur
Température de surface de plaque de céramique basse	<ol style="list-style-type: none"> 1. Faible pression de gaz à la rampe 2. Faible pression de gaz à l'arrivée 3. Orifice partiellement bouché par une matière étrangère 4. Sous-produits de combustion incorrectement ventilés 5. Rampe désalignée par couple excessif appliqué au tuyau à l'installation 6. Tuyauterie d'alimentation en gaz sous-dimensionnée 7. Matière étrangère dans le tube venturi 	<ol style="list-style-type: none"> 1. Ajustez le régulateur de vanne pour obtenir une hauteur de colonne d'eau de 5" (gaz naturel) ou 11" (propane) 2. Réglez le régulateur d'alimentation pour qu'il arrive au moins en hauteur de colonne d'eau 6" pour du gaz naturel ou 11" pour du gaz propane au niveau de l'ensemble de contrôle du radiateur 3. Nettoyez l'orifice 4. Fournissez une ventilation adéquate des sous-produits 5. Remplacez la rampe 6. Augmentez la pression du gaz ou remplacez la tuyauterie 7. Éliminez avec un goupillon pour bouteille
Odeur de gaz	<ol style="list-style-type: none"> 1. Connexion de tuyau desserrée 2. Régulateur défectueux 3. Vanne de coupure manuelle défectueuse 4. Vanne de contrôle de gaz défectueuse 5. Tuyau flexible desserré 	<ol style="list-style-type: none"> 1. Vérifiez toutes les connexions avec une solution savonneuse et resserrez où c'est nécessaire 2. Remplacez le régulateur 3. Remplacez la vanne de coupure manuelle 4. Remplacez la vanne contrôle de gaz 5. Resserrez le tuyau flexible
Combustion de mélange gaz/air à l'intérieur du carter de brûleur (retour de flamme)	<ol style="list-style-type: none"> 1. Séparation des plaquettes de céramique 2. Craquelures de plaquette(s) de céramique 3. Radiateur monté selon un angle incorrect 4. Tirages excessifs 	<ol style="list-style-type: none"> 1. Remplacez l'ensemble de brûleur 2. Remplacez l'ensemble de brûleur 3. Vérifiez l'angle du radiateur Consultez la plaque signalétique du radiateur 4. Protégez ou relocalisez le radiateur
L'ensemble de contrôle surchauffe	<ol style="list-style-type: none"> 1. Le radiateur n'est pas monté correctement 	<ol style="list-style-type: none"> 1. Montez le support mural / boîtier de commande contre une surface verticale plate, en suivant les instructions fournies dans la section d'installation de ce manuel. Utilisez toujours les pièces fournies pour monter le radiateur.
Formation de carbone sur la surface des plaquettes en céramique du brûleur	<ol style="list-style-type: none"> 1. Orifice mal aligné 2. Obstruction dans le tube venturi 3. Pression de gaz faible 4. Mauvais type de gaz envoyé au radiateur 	<ol style="list-style-type: none"> 1. Consultez un agent commercial ou l'usine 2. Éliminez avec un goupillon pour bouteille 3. Fournissez du gaz à la pression requise 4. Vérifiez la plaque signalétique pour le type de gaz nécessaire



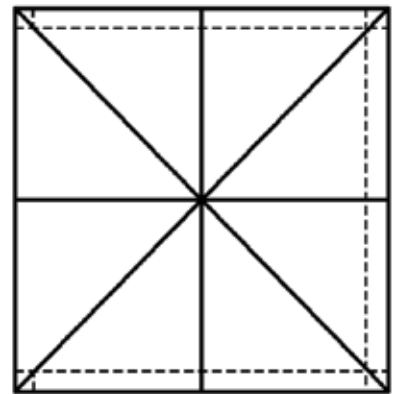
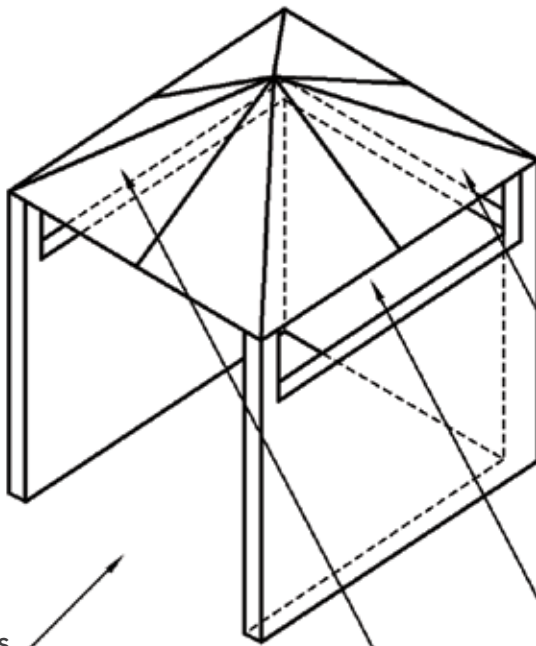
ZONE EN EXTÉRIEUR – EXEMPLE 1



ZONE EN EXTÉRIEUR – EXEMPLE 2



ZONE EN EXTÉRIEUR – EXEMPLE 3



30 % ou plus du total du reste
de zone de cloisons ouvert et
sans obstacles

ZONE EN EXTÉRIEUR – EXEMPLE 4